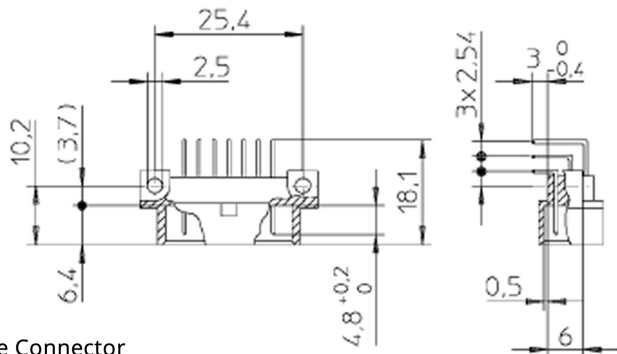
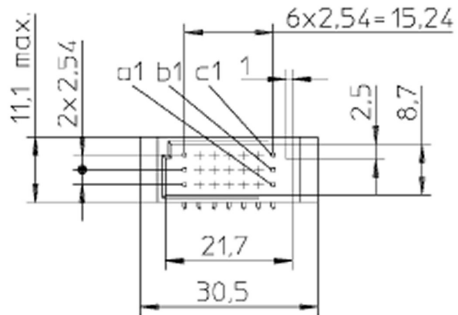
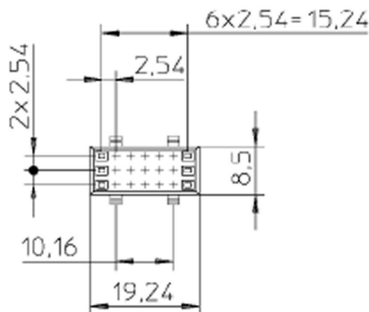
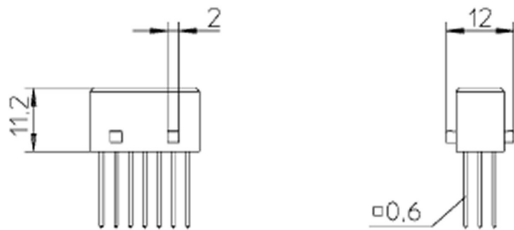


Valukumpu Oy  
 Type C/4, IEC603, DIN 41612  
 Two Part Connectors for PCB



Male Connector



Female Connector

General Description

The DIN 41612 C/4 type body offers a choice of eight contact arrangements over 3 rows. It is complimentary to the standard C body connector range and is classed as a quarter length C body. It is available in both male and female connection types.

This is a PCB mounted connector and is offered with right angle and straight solder tails for 1.6mm PCB thicknesses. For PCB boards of 2.4mm thick or if press-in termination is required for 1.5 to 4.0mm depth, then a longer straight solder tail specification is available. Wire wrap tail and hand solder eyelets are also available.

Each DIN 41612 connector is offered with a number of different contact and termination finishes.

Electrical Specification

Current Rating: 1.5A at 20°C  
 1A at 80°C  
 0.75A at 100°C  
 Proof Voltage: Contact/contact 1000Vrms  
 Contact/Test Panel 1550Vrms

Contact Resistance: ≤20 mΩ  
 Insulation Resistance: ≥10<sup>6</sup> MΩ  
 Connector Type: Male / Female

Materials

Connector Body: Glass fibre filled polyester  
 Female Contact: Phosphor Bronze  
 Male Contact: Copper Alloy  
 Contact Plating: Ni / Au  
 Ni / PdNi / Au

Environmental

Temp Range: -55 to +125°C  
 Flammability: UL 94 V-O  
 Insertion Force: 21 pole ≤20N  
 Retention Force: ≥0.15 N / Contact pair  
 Mechanical endurance, salt mist, industrial atmosphere and other requirements according to IEC603

Quality

Contact surfaces mechanically polished  
 Dual-beam female contact profiled to trapezoidal form.  
 Half length of female C/4 is also available (3x3pos.)

Valukumpu Oy  
 Type C/4, IEC603, DIN 41612  
 Two Part Connectors for PCB

VK - C/4 014 M S - C1 A - 0,8 / 5 -001 -NP

<b>C/4</b>	CONNECTOR TYPE
Three row body 1A Quarter length C	C/4

<b>014</b>	CONTACT ARRANGEMENT AND NUMBER OF POSITIONS
	008 012 014 021 A07 B07 X10 B14 Z
Special types	Z

<b>M</b>	TYPE OF CONTACT
Female Male	F M

<b>S</b>	TYPE OF TERMINATION
Solder Wrap Press-in	S W P

<b>C1</b>	Complete connector with contact finish of gold
-----------	--

<b>A</b>	TERMINATION STYLE			
	F FP M MP			
Right angle solder tail for 1.6 mm thick boards	A			
Straight solder tail for 1.6 mm thick boards	D			
Straight solder tail for 2.4 mm thick boards (Press-in from 1.5 to 4.0 mm)	E			
Wire wrap tail	F			
Wire wrap tail	H			
Hand solder eyelet	O			

<b>0,8</b>	CONTACT FINISH
0,8 1,25 2,5 ...	0.8 µm hard gold over 2 µm nickel 1.25 µm hard gold over 2 µm nickel 2.5 µm hard gold over 3 µm nickel other platings on request

<b>5</b>	TERMINATION FINISH
1 5 1,25 0,1 ...	1 µm tin over nickel on press-in area 5 µm tin over nickel 1.25 µm gold over nickel on contact area (5mm from the end) 0.1 µm gold over nickel other platings on request

<b>-001</b>	MARKING FOR SPECIAL TYPES
Eg	First Make – Last Break Option: Male pins in any row may be extended 0.50 mm for ground before signal applications, please contact manufacturer.

<b>-NP</b>	ALTERNATIVE CONTACT PLATING
	Gold flash over nickel palladium over nickel