

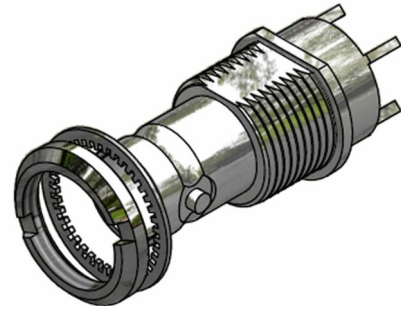
12GHz BNC Coaxial Connectors

Top Entry Bulkhead BNC Connector

Part Number C-SX-128

General Description

The C-SX-128 is a top entry, five pin, bulkhead mounting BNC connector. This BNC connector is suitable for high speed video applications such as 12G HD- SDI digital broadcast and CoaXPress machine vision.



Electrical Specification

Impedance:	75Ω
Frequency Range:	0-12GHz
Working Voltage:	500Vrms
Dielectric Withstanding Voltage:	1500Vrms
Reflection Factor (V_{SWR}):	1.04 ^(max) DC - 6GHz
	1.08 ^(max) 6 - 12GHz
Contact Resistance:	Centre contact 1.5mΩ
	Outer contact 1.0mΩ
Insulation Resistance:	>5000M Ω
Connector Type:	Female

Materials

Centre Pin:	Phosphor Bronze / 10 μ" Au
Metal Parts:	Brass / Ni
Insulators:	PTFE

Environmental

Temp Range:	-65 to +85°C
Mating Cycles:	250
Processing	Maximum wave and hand soldering temperature 265°C

Features

- Precision 12GHz 75Ω BNC Connector
- Five Pin Mounting
- Optimised for 12G HD-SDI

