

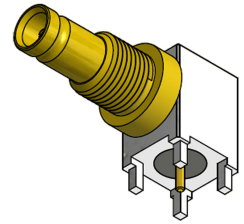
6GHz DIN 1.0 / 2.3 Coaxial Connectors

PCB Right Angle Mounted Bulkhead Connector

Part Number C-SX-135

General Description

The C-SX-135 precision 75Ω 1.0/2.3 Connector is a right angle PCB mounted bulkhead connector. This range of connectors meets the SMPTE ST-2081 standard and is ideal for use in industrial process control and data acquisition applications. The connector is supplied with nut.

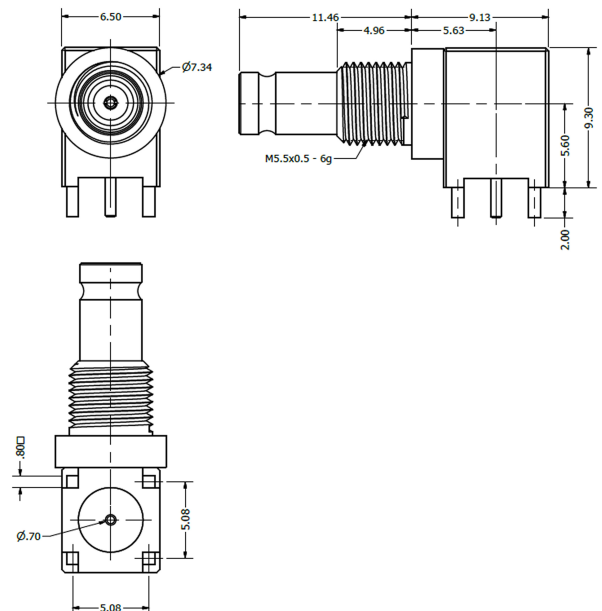


Electrical Specification

Impedance:	75Ω
Frequency Range:	0-6GHz
Working Voltage:	250Vrms
Dielectric Withstanding Voltage:	750Vrms
Reflection Factor (VSWR):	1.12 ^(max) DC - 3.0GHz 1.37 ^(max) 3.0 - 6.0GHz
Contact Resistance:	Centre contact 4.0mΩ Outer contact 2.5mΩ
Insulation Resistance:	>1000M Ω
Connector Type:	Female
Materials	
Centre Pin:	BeCu / 10 μ" Au
Metal Parts:	Brass / Ni
Insulators:	PTFE

Features

- Meets SMPTE ST-2081 Standard
- 8mm pitch enables high wiring densities
- Optimised for 6G HD-SDI



Environmental

Temp Range:	-65 to +85°C
Mating Cycles	500
Processing	
Maximum wave and hand soldering temperature	265°C

