

# 12GHz Micro BNC Coaxial Connectors

## Top entry 3 Pin PCB Short Body Micro BNC Connector

Part Number C-SX-140

### General Description

Our range of 12GHz Precision Micro BNC coaxial connectors are optimised for 4K/Quad HD and Ultra HD Broadcast applications and have been developed under the CoaxVision™ Brand name, while meeting the J1A CoaxPress specification. These high performance connectors allow you to achieve a 12GHz channel in one single connection. The Micro BNC connectors are mateable with any standard Micro BNC connector, but to achieve optimum performance we recommend using Cambridge Connectors 12GHz CoaxVision™ Micro BNC Connectors in both halves.

The C-SX-140 is a top entry, 3 pin PCB mounted, short body Micro BNC socket.

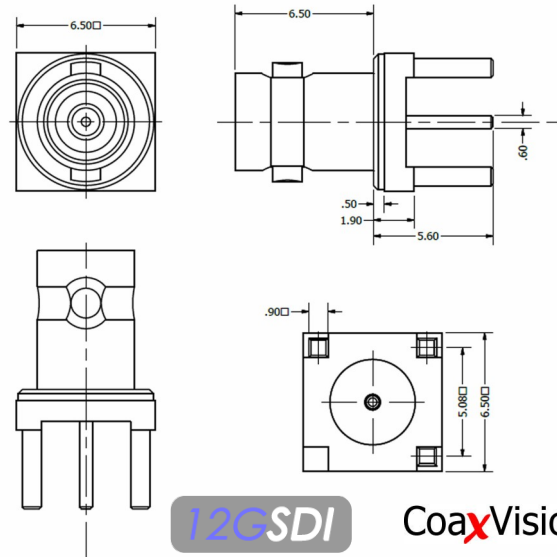


### Electrical Specification

Impedance:	75Ω
Frequency Range:	0-12GHz
Working Voltage:	170Vrms
Dielectric Withstanding Voltage:	500Vrms
Reflection Factor (VSWR):	1.04 <sup>(max)</sup> DC - 6GHz 1.08 <sup>(max)</sup> 6 - 12GHz
Contact Resistance:	Centre contact 5.0mΩ Outer contact 2.5mΩ
Insulation Resistance:	>1000M Ω
Connector Type:	Female
<b>Materials</b>	
Centre Pin:	BeCu / 10 μ" Au
Metal Parts:	Brass/Au
Insulators:	PTFE
<b>Environmental</b>	
Temp Range:	-65 to +85°C
Mating Cycles:	500
Processing	
Maximum hand soldering temperature	245°C

### Features

- Precision 12GHz 75Ω Micro BNC Connector
- Optimised for 4K/Quad HD and Ultra HD Broadcast Applications
- One single connection for each 12GHz Channel



12GSDI

CoaxVision™

