

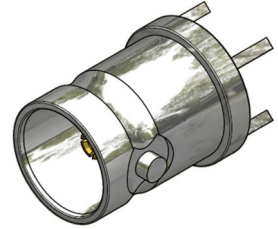
# 12GHz BNC Coaxial Connectors

## Top Entry PCB Mounting BNC Socket

Part Number C-SX-152

### General Description

Our range of 12GHz Precision BNC coaxial connectors are optimised for 4K/Quad HD and Ultra HD Broadcast applications and have been developed under the CoaxVision™ Brand name, while meeting the J11A CoaxPress specification. These high performance connectors allow you to achieve a 12GHz channel in one single connection. The BNC connectors are mateable with any standard BNC connector, but to achieve optimum performance we recommend using Cambridge Connectors 12GHz CoaxVision™ BNC Connectors in both halves. The C-SX-152 connector is a top entry PCB mounting BNC socket.



### Electrical Specification

Impedance: 75Ω  
 Frequency Range: 0-12GHz  
 Working Voltage: 500Vrms  
 Dielectric Withstanding Voltage: 1500Vrms  
 Reflection Factor (VSWR): 1.04<sup>(max)</sup> DC - 6GHz  
 1.11<sup>(max)</sup> 6GHz - 12GHz  
 Contact Resistance: Centre contact 1.5mΩ  
 Outer contact 1.0mΩ  
 Insulation Resistance: >5000MΩ  
 Connector Type: Female

### Materials

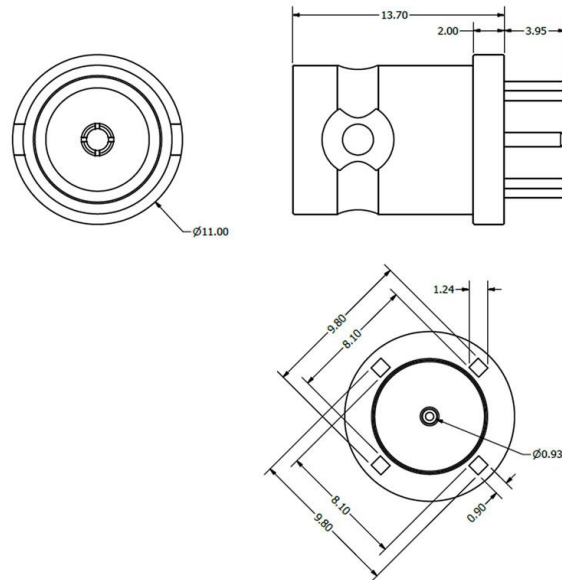
Centre Pin: Phosphor Bronze/10 μ" Au  
 Metal Parts: Brass/Ni  
 Insulators: PTFE

### Environmental

Temp Range: -65 to +85°C  
 Mating Cycles: 250+

### Features

- Precision 12GHz 75 Ω BNC Connector
- Optimised for 4K/Quad HD and Ultra HD Broadcast Applications
- One single connection for each 12GHz Channel



12GSDI

CoaxVision™

