

6GHz Coaxial Connectors

Top Entry BNC Connector with Seal

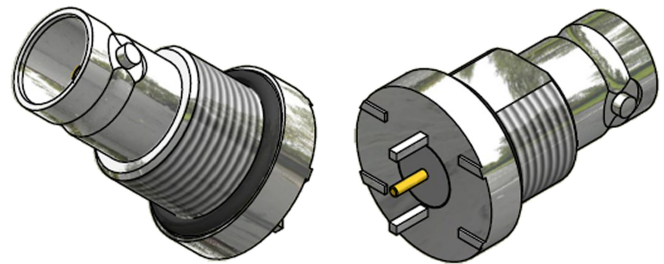
Part Number C-SX-164

General Description

The C-SX-164 Precision 75Ω BNC top entry PCB mounted bulkhead connector with a seal at the base. The connector meets SMPTE ST-2081 allowing 6Gbits/s over a single channel. Each connector is supplied with a nut and washer.

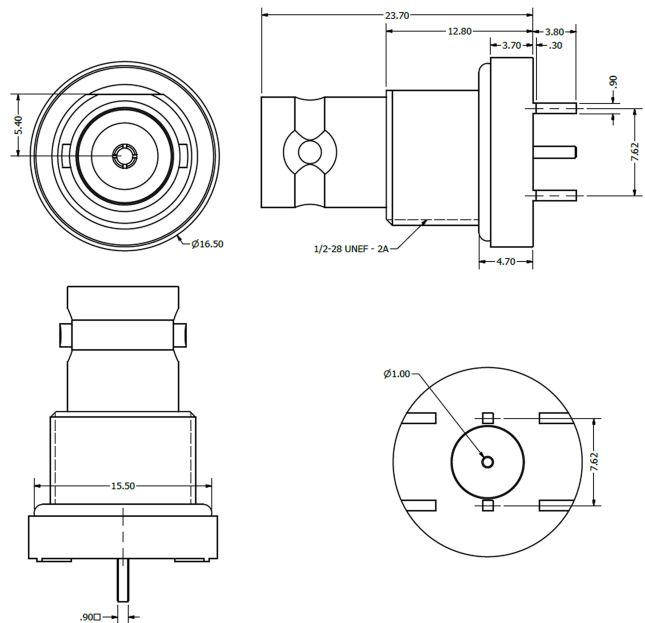
Electrical Specification

Impedance:	75Ω
Frequency Range:	0-6.2GHz
Working Voltage:	500Vrms
Dielectric Withstanding Voltage:	1500Vrms
Reflection Factor (VSWR):	1.04 ^(max) DC - 3.0GHz 1.11 ^(max) 3.0 - 6.0GHz
Contact Resistance:	Centre contact 1.5mΩ Outer contact 1.0mΩ
Insulation Resistance:	>5000M Ω
Connector Type:	Female
Materials	
Centre Pin:	Phosphor Bronze/ 10 μ"Au
Metal Parts:	Brass / Ni
Insulators:	PTFE
Seal	Silicon Rubber
Environmental	
Temp Range:	-65 to +85°C
Mating Cycles	250
Processing	
Maximum wave and hand soldering temperature	265°C



Features

- Precision 75Ω BNC Connector
- Designed for 6G HD SDV applications



6G SDI

CoaxVision™

