

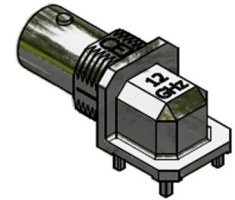
12GHz BNC Coaxial Connectors

Right Angle Surface Mount BNC Socket

Part Number C-SX-165

General Description

Our range of 12GHz Precision BNC coaxial connectors are optimised for 4K/Quad HD and Ultra HD Broadcast applications and have been developed under the CoaxVision™ Brand name, while meeting the J1A CoaxPress specification. These high performance connectors allow you to achieve a 12GHz channel in one single connection. The BNC connectors are mateable with any standard BNC connector, but to achieve optimum performance we recommend using Cambridge Connectors 12GHz CoaxVision™ BNC Connectors in both halves. The C-SX-165 connector is a right angle surface mount connector which is supplied with nut and washer.

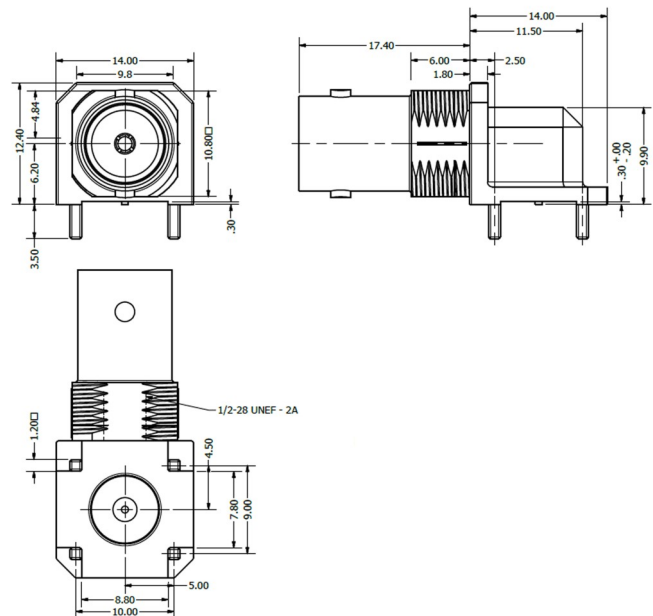


Electrical Specification

Impedance:	75Ω
Frequency Range:	0-12GHz
Working Voltage:	500Vrms
Dielectric Withstanding Voltage:	1500Vrms
Reflection Factor (VSWR):	1.11 ^(max) DC - 6GHz 1.21 ^(max) 6GHz - 12GHz
Contact Resistance:	Centre contact 1.5mΩ Outer contact 1.0mΩ
Insulation Resistance:	>5000MΩ
Connector Type:	Female
Materials	
Centre Pin:	Phosphor Bronze/10 μ" Au
Metal Parts:	Brass/Ni
Insulators:	PTFE
Environmental	
Temp Range:	-65 to +85°C
Mating Cycles:	250+
Processing	
Maximum reflow Temperature	245°C for 3 minutes

Features

- Surface Mount
- Precision 12GHz 75 Ω BNC Connector
- Optimised for 4K/Quad HD and Ultra HD Broadcast Applications
- One single connection for each 12GHz Channel
- Precision 75 Ω BNC patch leads also available



12GSDI

CoaxVision™

