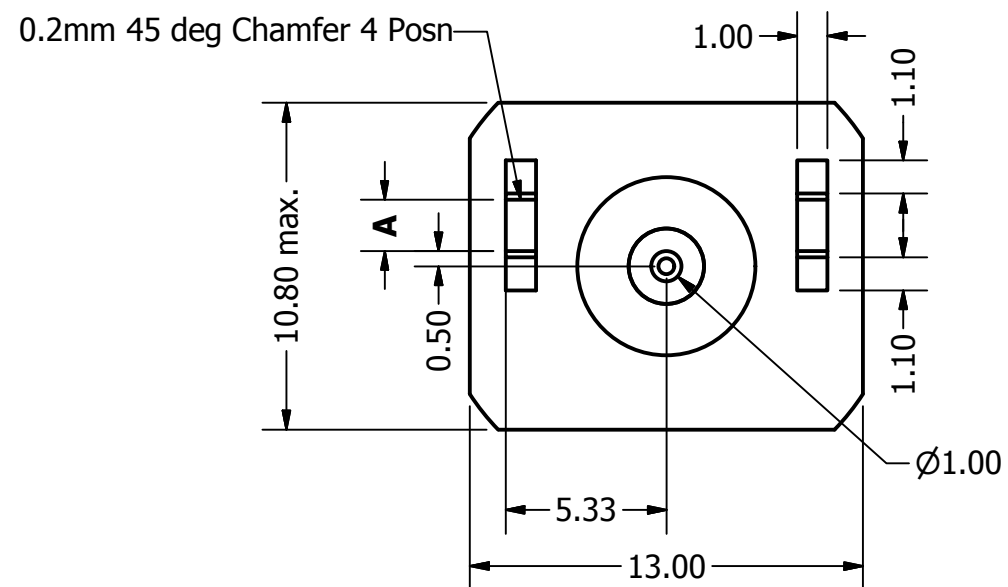


Note: Nut and Washer supplied with connector.

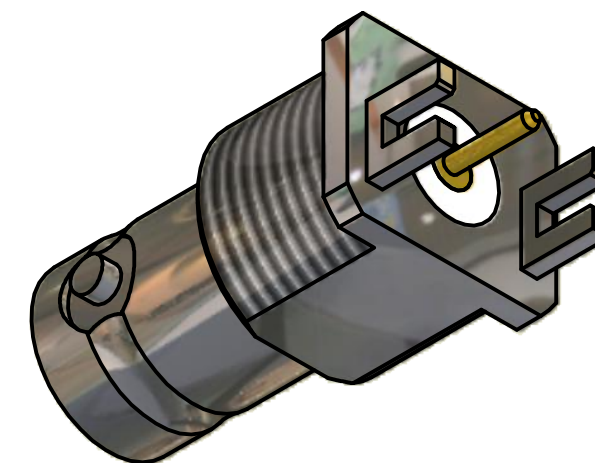
Body: Brass/Ni Plated
 Insul: PTFE
 Contact: Phosbronze/10u AU plated



REVISION HISTORY

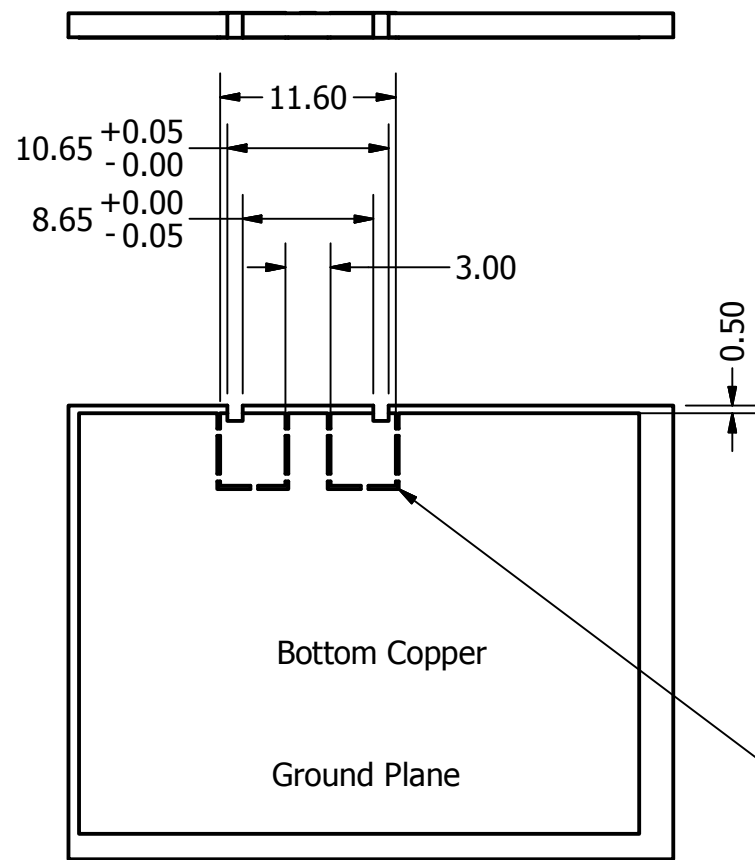
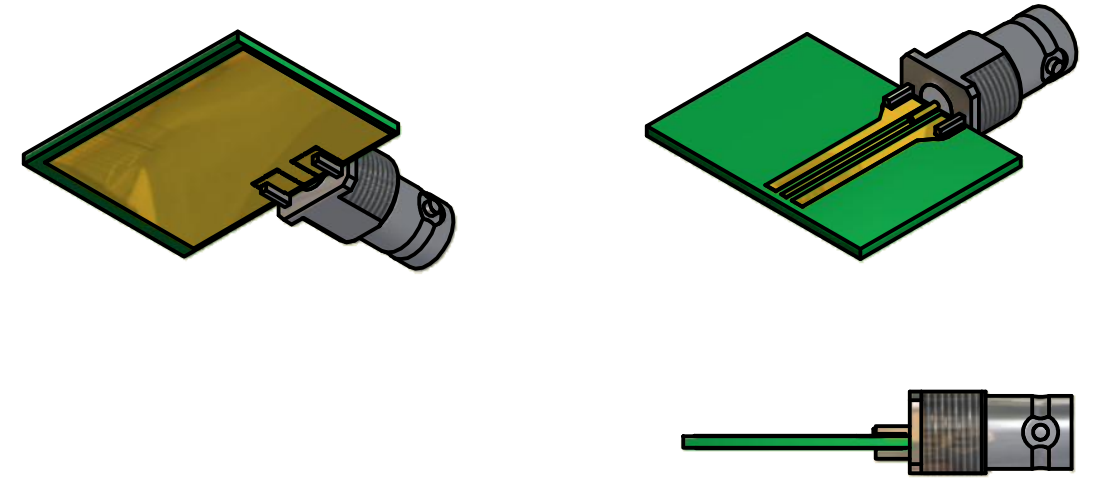
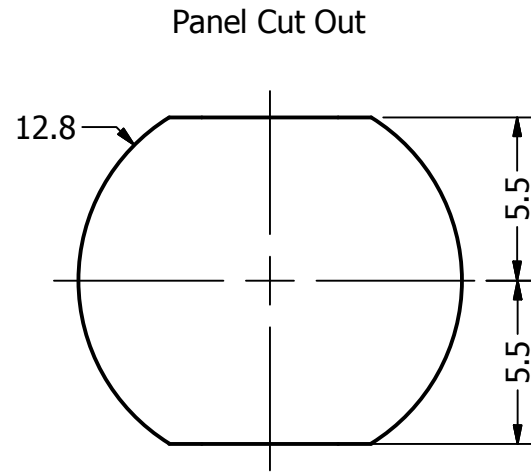
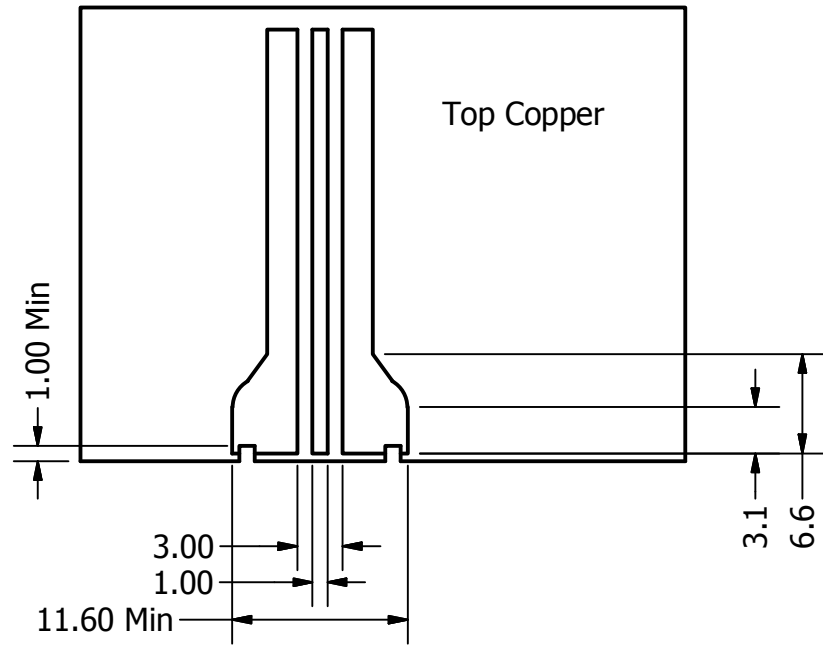
REV	DESCRIPTION	DATE	APPROVED
1.2	Flats added to thread Centre pin Dia to 1.0mm Rect flange high to 10.8mm	11/07/2005	Peter Fayers
1.3	Corners clipped on 15.5mm Dia	11/08/2005	Peter Fayers
1.4	Location Web added	30/05/2007	Peter Fayers
1.5	Accessories added	31/10/2007	P. Fayers
1.6	Made Drawing Generic	15/05/2008	P. Fayers
1.7	Panel Cut Out added	21/07/2008	P. Fayers
1.8	Added Dim 21.4	08/10/2008	P. Fayers
1.9	contact length dim added	25/01/2010	P. Fayers
2.0	RL & IL Added	10/11/2010	P. Fayers

Part Number	PCB Thickness	A
C-SX-058	1.6 mm	1.70
C-SX-072	2.4 mm	2.50
C-SX-073	3.2 mm	3.30
C-SX-074	3.6 mm	3.70

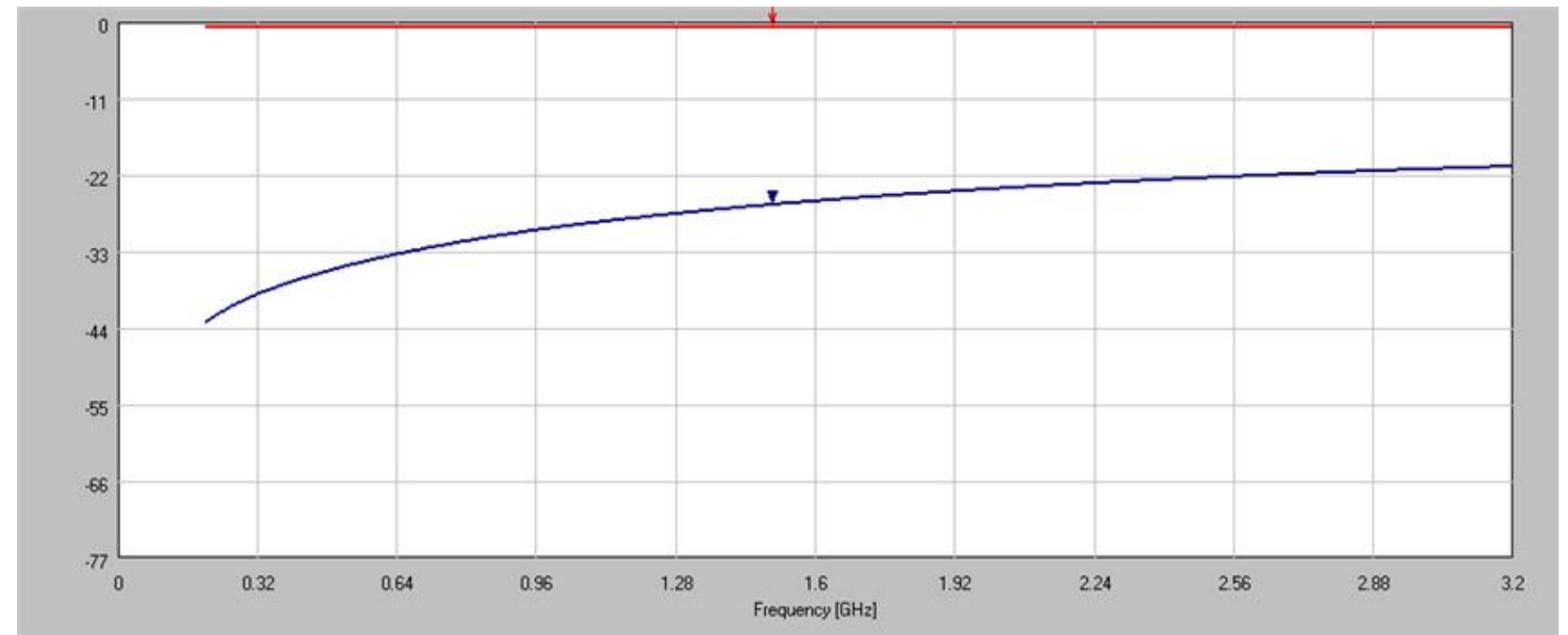


Material:	Finish:	X. - +0.5 X.X - +0.05 X.XX - +0.002	DO NOT SCALE		
Designed by Peter Fayers	Checked by	Approved by	Date ©2005	Date 23/06/2005	A3
C.E.I. Ltd	This document and all the data contained herein is and shall remain the property of Cambridge Electronic Ind. Ltd and may not be used or copied for any purpose whatsoever without the written permission of Cambridge Electronic Ind. Ltd.		75 Ohm (F) BNC Edge Mount		
			C-SX-058,072,073,074 Cust	Issue 2.0	Sheet 1 / 2

PCB Layout.



Pad thermal relief.
Kept to Minimum



Return Loss
0.0-1.5 GHz Better than -25.95db
1.5-3.2 GHz Better than -20.38db

Insertion Loss
0-3.2 GHz Better than 0.040 db

Material: 16mm FR4		Finish: 1 OZ Cu		X. -+-0.5 X.X -+-0.05 X.XX -+-0.002	DO NOT SCALE	
Designed by Peter Fayers	Checked by	Approved by	Date	©2005	Date 23/06/2005	A3
C.E.I. Ltd		75 Ohm (F) BNC Edge Mount		C-SX-058,072,073,074 Cust		
This document and all the data contained herein is and shall remain the property of Cambridge Electronic Ind. Ltd and may not be used or copied for any purpose whatsoever without the written permission of Cambridge Electronic Ind. Ltd.		Issue 2.0		Sheet 2 / 2		