

REVISION HISTORY			
REV	DESCRIPTION	DATE	DESIGNER
1.0	Origin	10/12/2014	Peter Fayers

<b>Design Right Protected</b> <small>Third Angle Projection</small> 	Material: Brass/BeCu/PTFE	Finish: Ni/Au/Nat	Gen Tol +/- 0.20	DO NOT SCALE		
	Designed by Peter Fayers	Checked by	Approved by	Date	©2013	
<b>RoHS Compliant</b>	<b>Cambridge Electronic Industries Ltd</b>	This document and all the data contained herein is and shall remain the property of Cambridge Electronic Industries Ltd and may not be used or copied for any purpose whatsoever without the written permission of Cambridge Electronic Industries Ltd.			6 GHz 1.0-2.3 RA (F) 8.65 mm CL	
		C-SX-149 (NPF 5127)			Issue 1.0	Sheet 1 / 3

Supplied with Ni Plated Nut.

6 5 4 3 2 1

D

D

**Electrical:**

Impedance 75 Ohms  
 Freq Range 0-6.0 GHz  
 Working Voltage 250 Vrms  
 Dielectric withstanding voltage 750 Vrms  
 Reflection Factor (VSWR) 1.15 Max DC-3.2 GHz  
 1.35 Max 3.2 GHz-6.0 GHz  
 Contact Resistance Centre Contact 4.0 m Ohm  
 Outer Contact 2.5 m Ohm  
 Insulation Resistance > 1000 Meg Ohm

**Materials:**

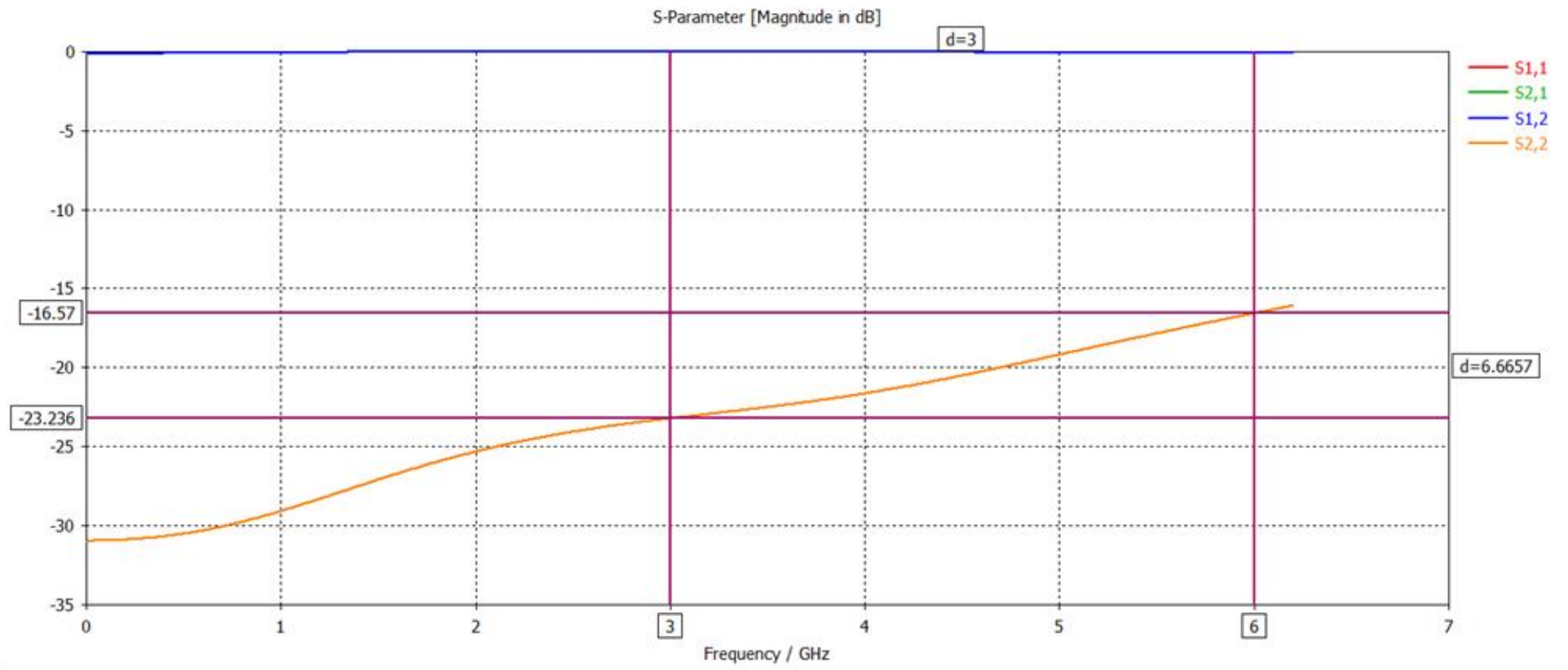
Centre Pin BeCu /10u" Au  
 Metal Parts Brass/Ni  
 Insulators PTFE

**Enviromental:**

Temp Range: -65 to +85°C  
 Mating cycles: 500

C

C



No PCB

B

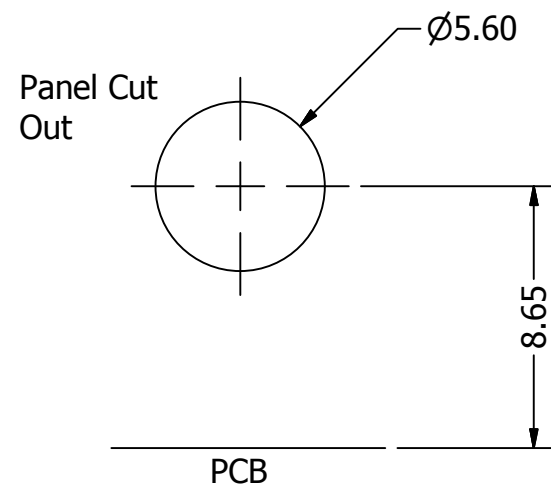
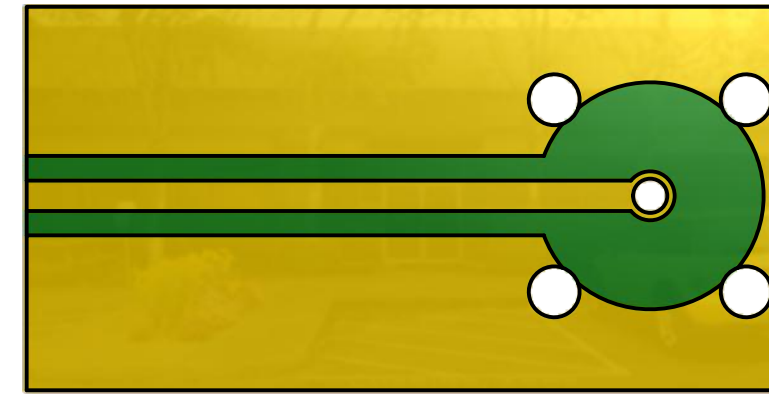
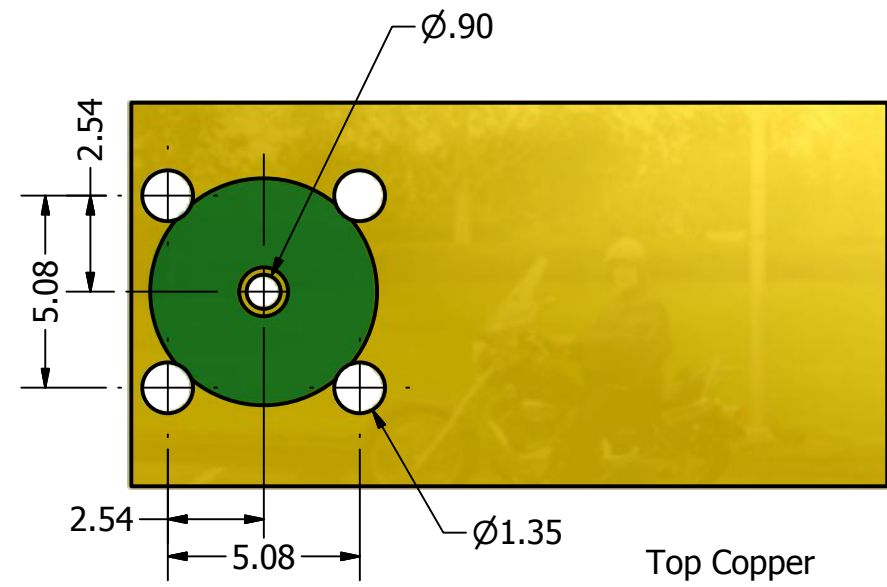
B

A

A

6 5 4 3 2 1

<b>Design Right Protected</b>	Material:		Finish:		Gen Tol +/- 0.20		DO NOT SCALE		
	Third Angle Projection		Designed by Peter Fayers		Checked by		Approved by Date		
<b>RoHS Compliant</b>	<b>Cambridge Electronic Industries Ltd</b>		This document and all the data contained herein is and shall remain the property of Cambridge Electronic Industries Ltd and may not be used or copied for any purpose whatsoever without the written permission of Cambridge Electronic Industries Ltd.		6 GHz 1.0-2.3 RA (F) 8.65 mm CL		©2013		
					C-SX-149 (NPF 5127)		Date 10/12/2014 A3		
						Issue 1.0		Sheet 2 / 3	



<b>Design Right Protected</b>	Material:		Finish:		Gen Tol +/- 0.20	DO NOT SCALE	
	Designed by Peter Fayers		Checked by		Date ©2013	Unit of measure: millimetres(mm)	
Third Angle Projection 	Approved by		Date		Date 10/12/2014	A3	
<b>RoHS Compliant</b>	<b>Cambridge Electronic Industries Ltd</b>		This document and all the data contained herein is and shall remain the property of Cambridge Electronic Industries Ltd and may not be used or copied for any purpose whatsoever without the written permission of Cambridge Electronic Industries Ltd.		6 GHz 1.0-2.3 RA (F) 8.65 mm CL		
					C-SX-149 (NPF 5127)		Issue 1.0