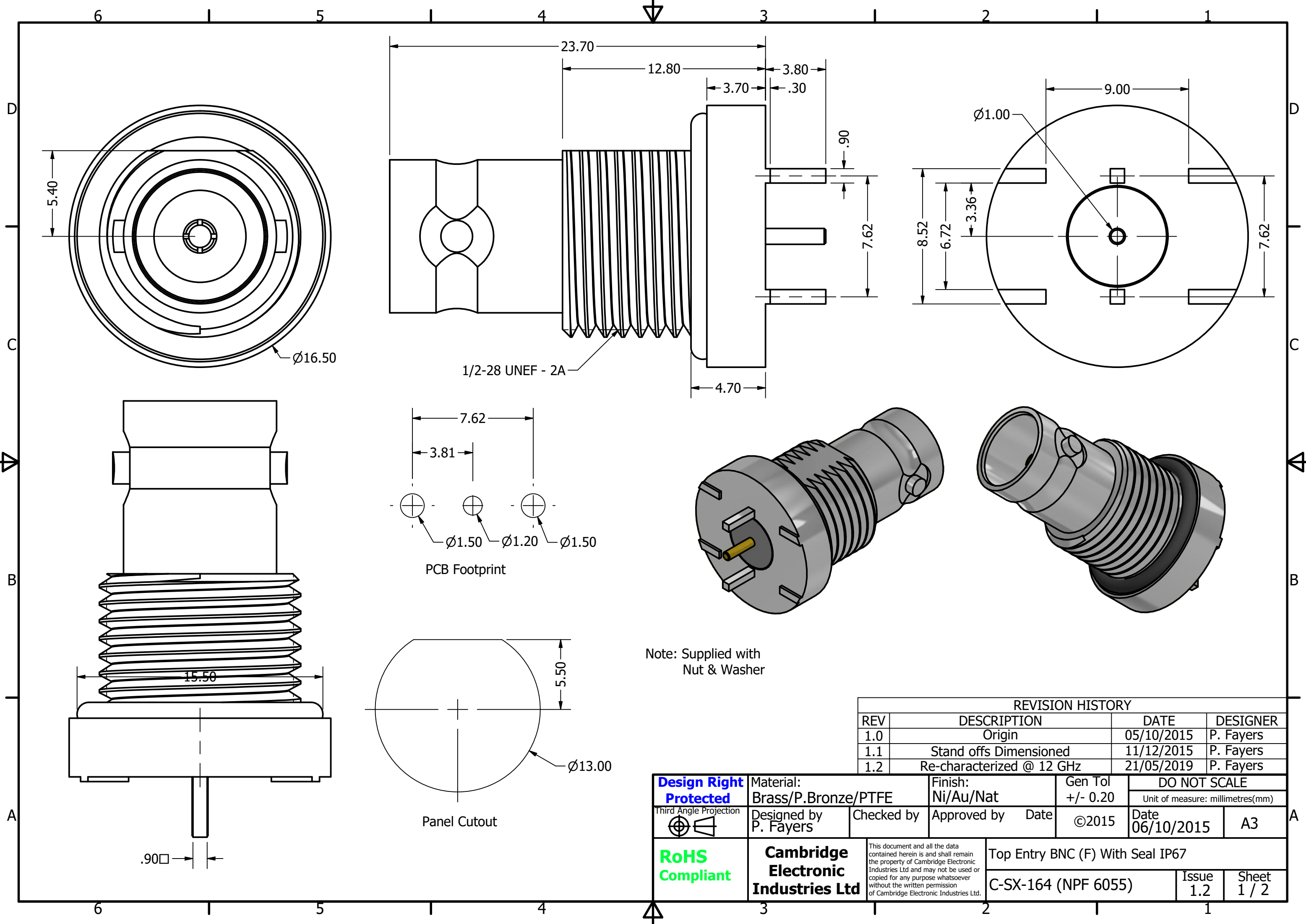


Note: Supplied with Nut & Washer

REVISION HISTORY			
REV	DESCRIPTION	DATE	DESIGNER
1.0	Origin	05/10/2015	P. Fayers
1.1	Stand offs Dimensioned	11/12/2015	P. Fayers
1.2	Re-characterized @ 12 GHz	21/05/2019	P. Fayers

Design Right Protected <small>Third Angle Projection</small> 	Material: Brass/P.Bronze/PTFE	Finish: Ni/Au/Nat	Gen Tol +/- 0.20	DO NOT SCALE	
	Designed by P. Fayers	Checked by	Approved by	Date	©2015
RoHS Compliant	Cambridge Electronic Industries Ltd	<small>This document and all the data contained herein is and shall remain the property of Cambridge Electronic Industries Ltd and may not be used or copied for any purpose whatsoever without the written permission of Cambridge Electronic Industries Ltd.</small>	Top Entry BNC (F) With Seal IP67		
			C-SX-164 (NPF 6055)	Issue 1.2	Sheet 1 / 2



Electrical:

Impedance 75 Ohms

Freq Range 0-6.2GHz

Working Voltage 500 Vrms

Dielectric withstanding voltage 1500 Vrms

Reflection Factor (VSWR) 1.10 Max DC-12.0 GHz

Contact Resistance
Centre Contact 1.5 m Ohm
Outer Contact 1.0 m Ohm

Insulation Resistance > 5000 Meg Ohm

Materials:

Centre Pin Phosphor Bronze /10u" Au

Metal Parts Brass/Ni

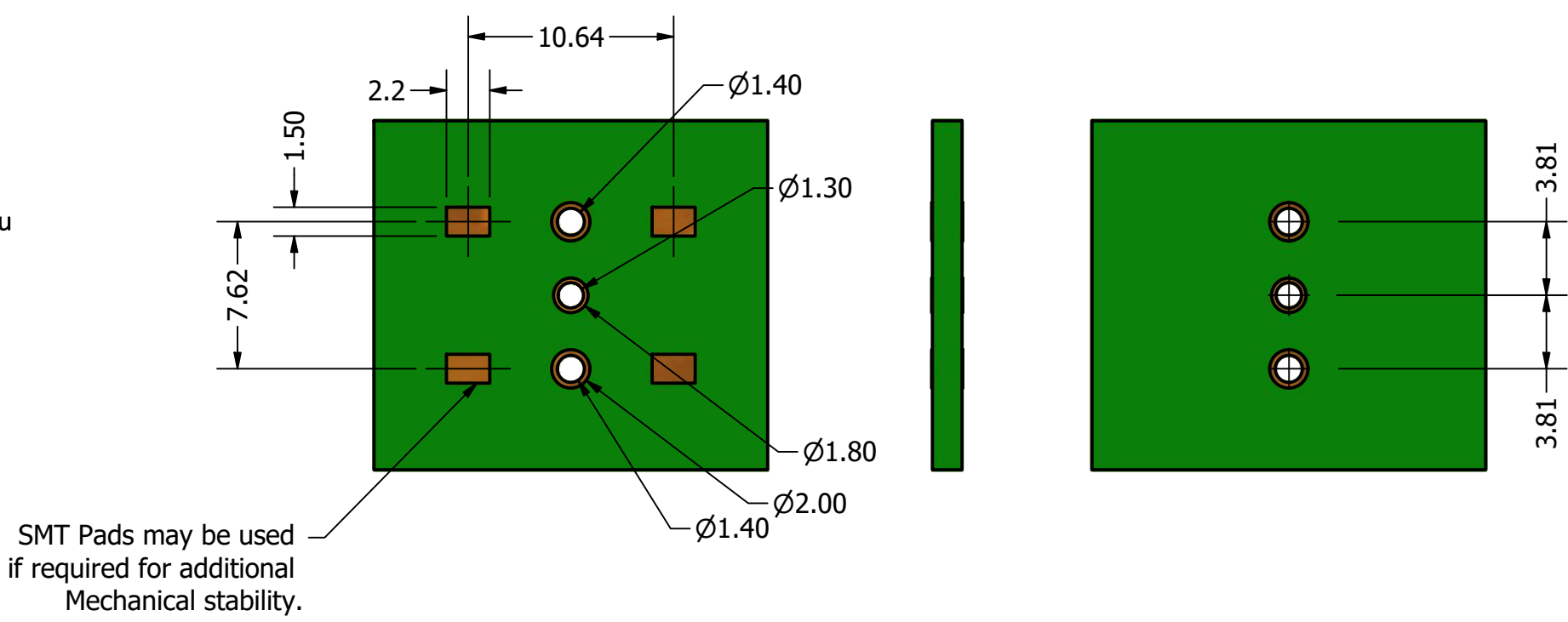
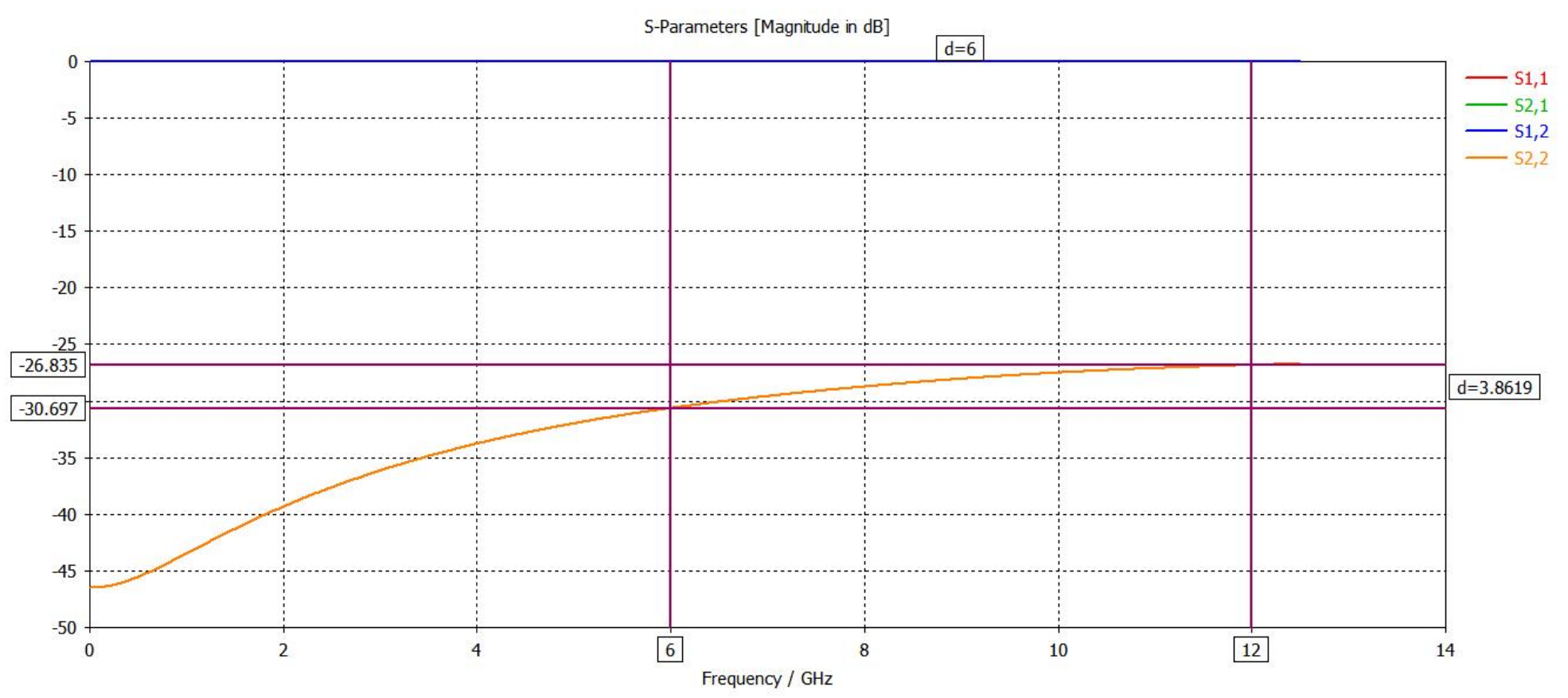
Insulators PTFE

Seal: Silicon Rubber

Enviromental:

Temp Range: -65 to +85°C

Mating cycles: 250



Design Right Protected	Material:		Finish:		Gen Tol +/- 0.20	DO NOT SCALE		
	Designed by P. Fayers		Checked by	Approved by	Date	Unit of measure: millimetres(mm)		
Third Angle Projection	Cambridge Electronic Industries Ltd		©2015		Date 06/10/2015	A3		
RoHS Compliant	This document and all the data contained herein is and shall remain the property of Cambridge Electronic Industries Ltd and may not be used or copied for any purpose whatsoever without the written permission of Cambridge Electronic Industries Ltd.		Top Entry BNC (F) With Seal IP67				Issue 1.2	Sheet 2 / 2
	Cambridge Electronic Industries Ltd		C-SX-164 (NPF 6055)					