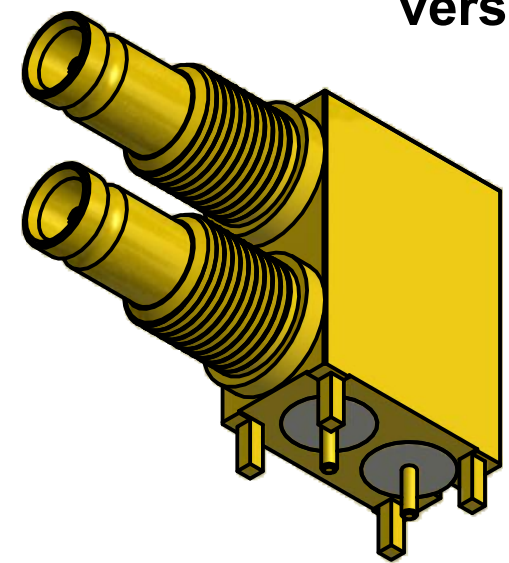


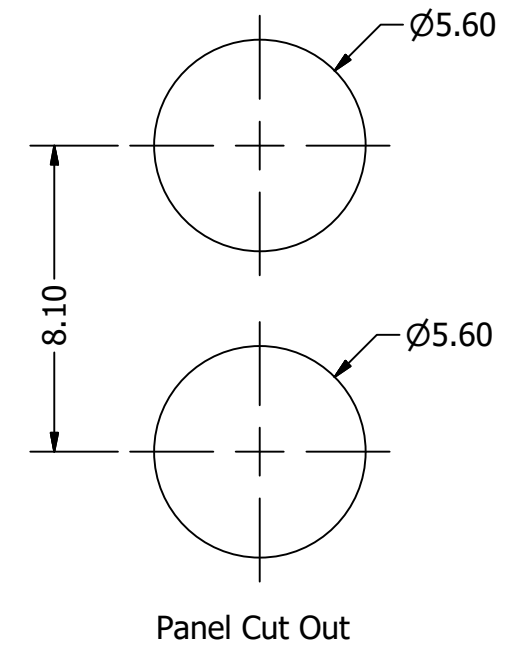
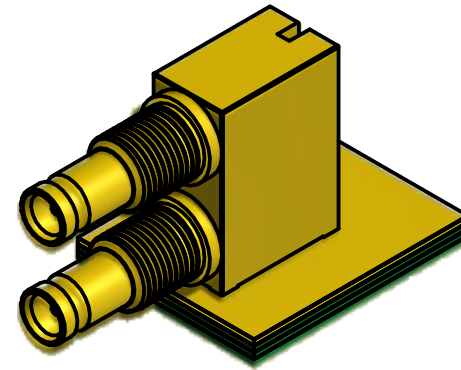
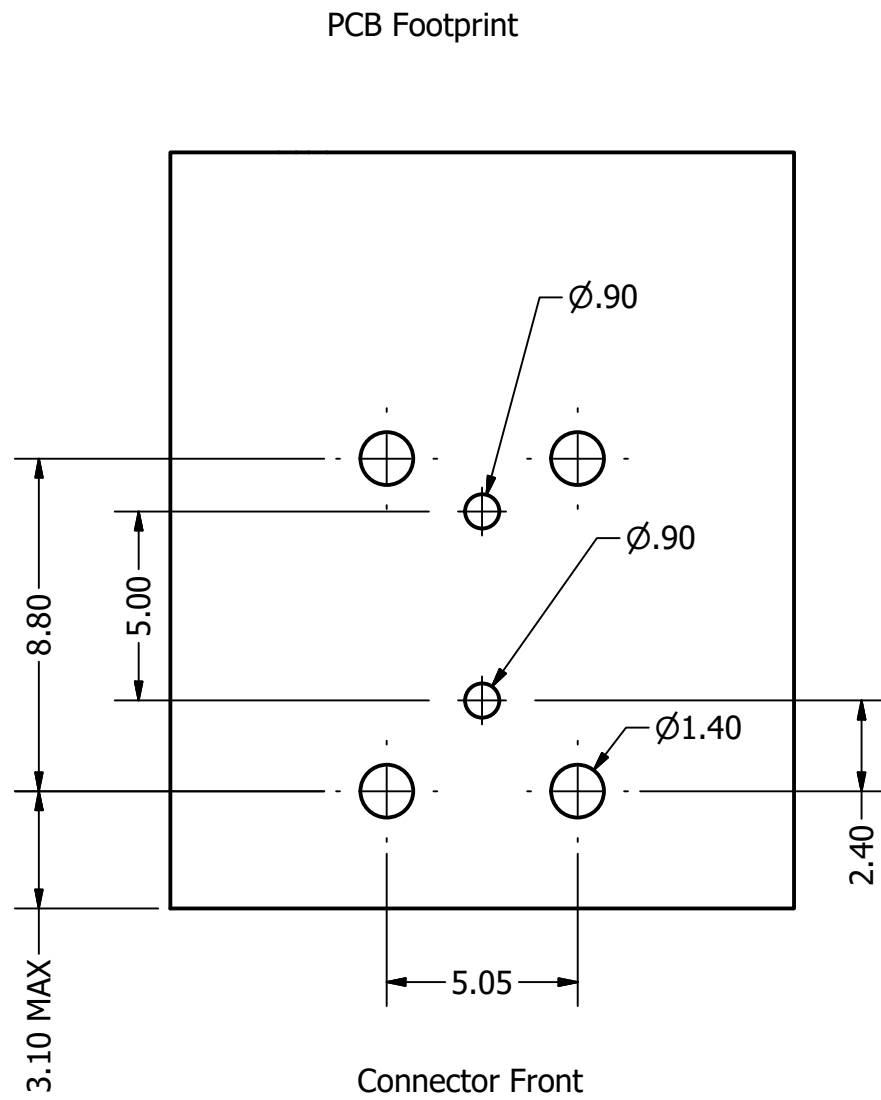
DETAIL A
SCALE 10 : 1

Note: **C-SX-171G** is a no nuts version of **C-SX-137G**.

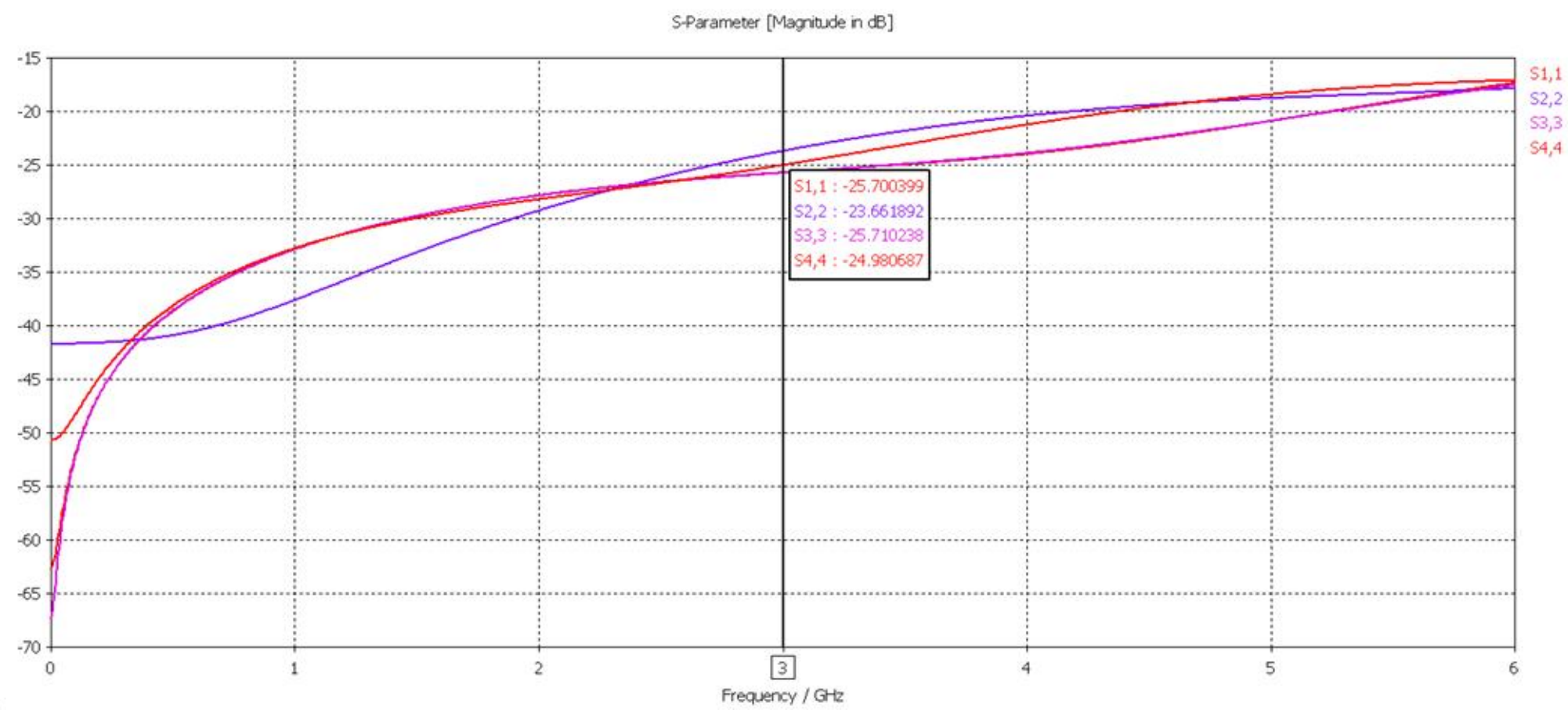


REVISION HISTORY			
REV	DESCRIPTION	DATE	DESIGNER
1.0	Origin	05-Jan-17	P.Fayers
1.1	Block Chg Headers Added	09-Jan-17	P.Fayers
1.2	Description Chg	11-Jan-17	P.Fayers
1.3	Note Chg	13-Mar-17	P.Fayers
1.4	Additional Dims	27-Apr-17	P.Fayers

Design Right Protected Third Angle Projection	Material: Brass/PTFE/BeCu	Finish: Au/Nat/Au	Gen Tol +/- 0.20	DO NOT SCALE	
	Designed by P.Fayers	Checked by	Approved by	Date 05-Jan-17	A3
RoHS Compliant	Cambridge Electronic Industries Ltd	Description 2 Port 1.0-2.3 Piggyback Connector		Issue 1.4	Sheet 1 / 3
		This document and all the data contained herein is and shall remain the property of Cambridge Electronic Industries Ltd and may not be used or copied for any purpose whatsoever without the written permission of Cambridge Electronic Industries Ltd.		Part No: C-SX-171G	



Design Right Protected	Material:		Finish:		Gen Tol +/- 0.20	DO NOT SCALE	
	Designed by P.Fayers		Checked by	Approved by	Date	©2016	Unit of measure: millimetres(mm)
Third Angle Projection 	Cambridge Electronic Industries Ltd		Description 2 Port 1.0-2.3 Piggyback Connector		Date 05-Jan-17	A3	
RoHS Compliant	This document and all the data contained herein is and shall remain the property of Cambridge Electronic Industries Ltd and may not be used or copied for any purpose whatsoever without the written permission of Cambridge Electronic Industries Ltd.		Part No: C-SX-171G		Issue 1.4	Sheet 2 / 3	



Electrical:

Impedance 75 Ohms

Freq Range 0-6.0 GHz

Working Voltage 250 Vrms

Dielectric withstanding voltage 750 Vrms

Reflection Factor (VSWR)

1.07 Max DC-1.5 GHz

1.14 Max 1.5GHz-3.0 GHz

1.16 Max 3.0GHz-3.2 GHz

1.31 Max 3.2GHz-6.0 GHz

Contact Resistance

Centre Contact 4.0 m Ohm

Outer Contact 2.5 m Ohm

Insulation Resistance > 1000 Meg Ohm

Materials:

Centre Pin BeCu /10u" Au

Metal Parts Brass/Au

Insulators PTFE

Enviromental:

Temp Range: -65 to +85°C

Mating cycles: 500

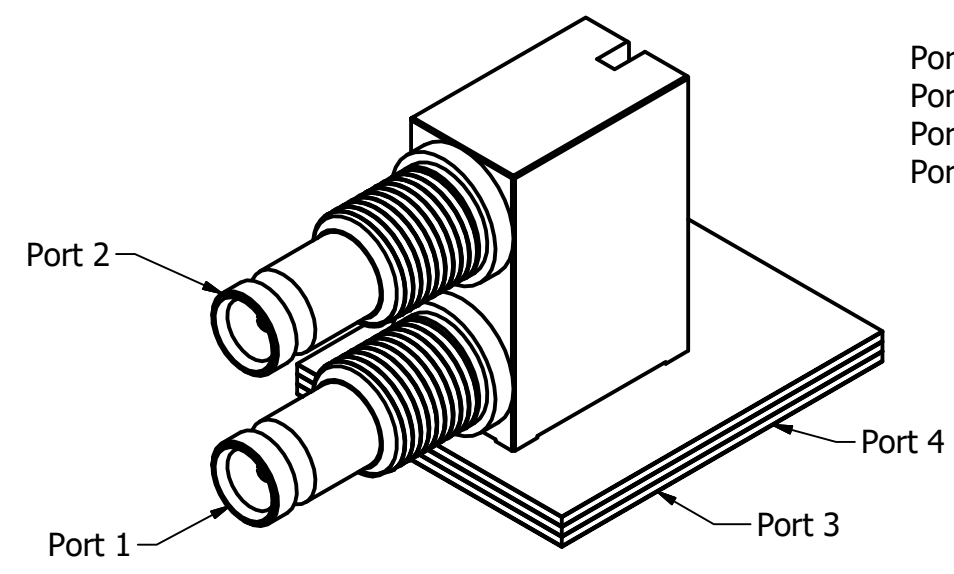
Port designations

Port 1 = PCB Lower Coax Connector

Port 2 = PCB Upper Coax Connector

Port 3 = Coax Lower

Port 4 = Coax Upper



Design Right Protected	Material:		Finish:		Gen Tol +/- 0.20	DO NOT SCALE	
	Third Angle Projection		Date		©2016	Unit of measure: millimetres(mm)	
RoHS Compliant	Designed by P.Fayers	Checked by	Approved by	Date	05-Jan-17	A3	
	Cambridge Electronic Industries Ltd		Description 2 Port 1.0-2.3 Piggyback Connector		Part No: C-SX-171G		
	This document and all the data contained herein is and shall remain the property of Cambridge Electronic Industries Ltd and may not be used or copied for any purpose whatsoever without the written permission of Cambridge Electronic Industries Ltd.		Issue 1.4	Sheet 3 / 3			