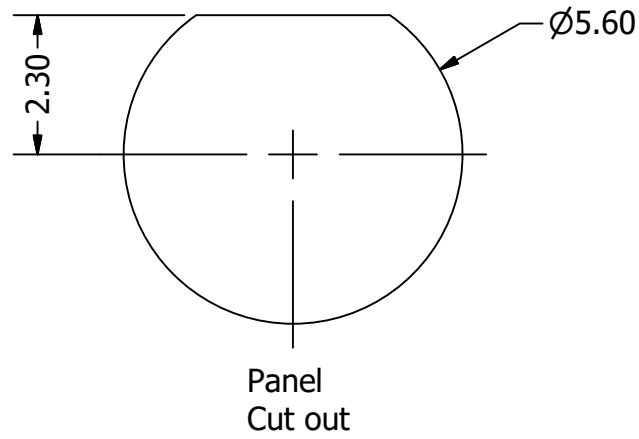
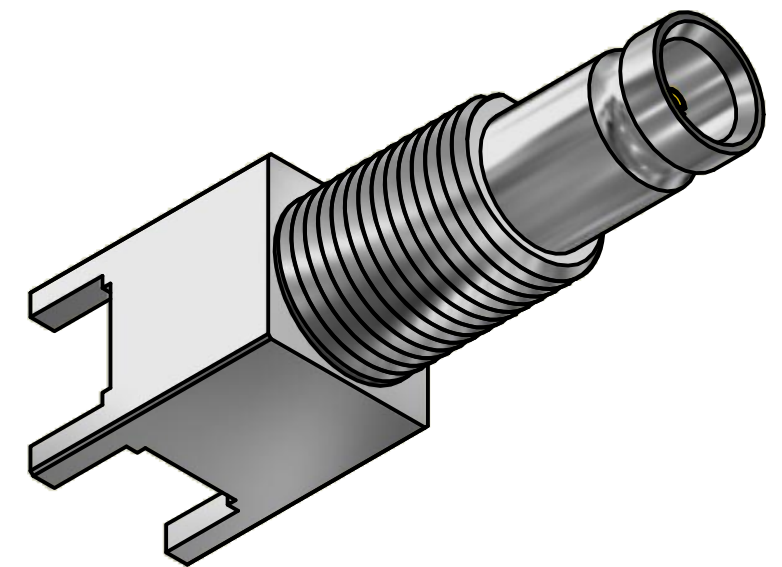


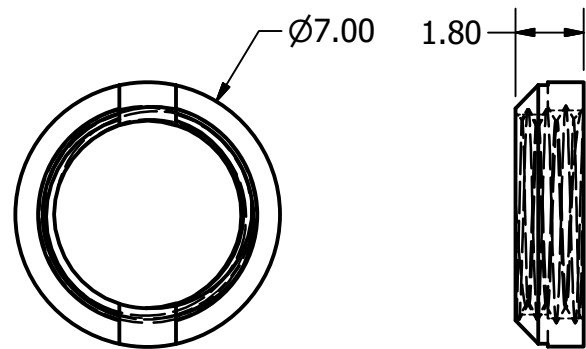
PCB Layout



Panel Cut out



**Note: Supplied with Nut
Nut Tool: TLG 108**



REVISION HISTORY			
REV	DESCRIPTION	DATE	DESIGNER
1.0	Origin	22-Feb-17	P. Fayers
1.1	Material and finish Added	21-Aug-17	P. Fayers

Design Right Protected <small>Third Angle Projection</small> 	Material: Brass/P.Bronze/PTFE	Finish: Ni/Au/Nat	Gen Tol +/- 0.20	DO NOT SCALE		
	Designed by P. Fayers	Checked by	Approved by	Date ©2017	Unit of measure: millimetres(mm)	
RoHS Compliant	Cambridge Electronic Industries Ltd	<small>This document and all the data contained herein is and shall remain the property of Cambridge Electronic Industries Ltd and may not be used or copied for any purpose whatsoever without the written permission of Cambridge Electronic Industries Ltd.</small>			Description 1.0-2.3 Top Entry BH PCB Mount	
		Part No: C-SX-179 (NPF 7386)			Issue 1.1	Sheet 1 / 2

Electrical:

Impedance 75 Ohms

Freq Range 0-6.0 GHz

Working Voltage 250 Vrms

Dielectric withstanding voltage 750 Vrms

Reflection Factor (VSWR) 1.1 Max DC-3.0 GHz
1.2 Max 3.1 GHz-6.0 GHz

Contact Resistance Centre Contact 4.0 m Ohm
Outer Contact 2.5 m Ohm

Insulation Resistance > 1000 Meg Ohm

Materials:

Centre Pin BeCu /10u" Au

Metal Parts Brass/Au

Insulators PTFE

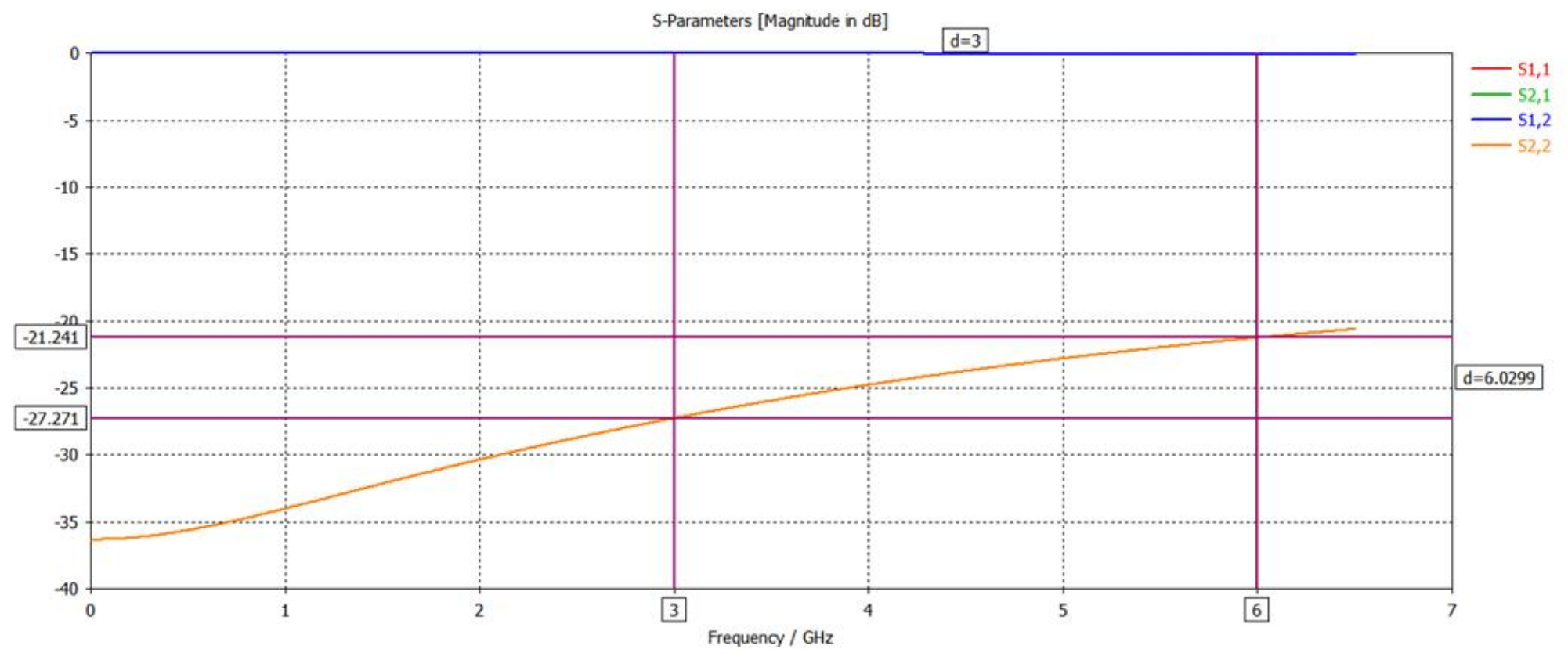
Enviromental:

Temp Range: -65 to +85°C

Mating cycles: 500

Vibration: MIL-STD-202 Method 204 test condition B

Salt Spray: MIL-STD-202 Method 101 test condition B



Design Right Protected	Material:		Finish:		Gen Tol +/- 0.20	DO NOT SCALE	
	Third Angle Projection		Date		©2017	Unit of measure: millimetres(mm)	
	Designed by P. Fayers	Checked by	Approved by	Date	22-Feb-17	A3	
RoHS Compliant	Cambridge Electronic Industries Ltd		This document and all the data contained herein is and shall remain the property of Cambridge Electronic Industries Ltd and may not be used or copied for any purpose whatsoever without the written permission of Cambridge Electronic Industries Ltd.		Description 1.0-2.3 Top Entry BH PCB Mount		
					Part No: C-SX-179 (NPF 7386)		Issue 1.1