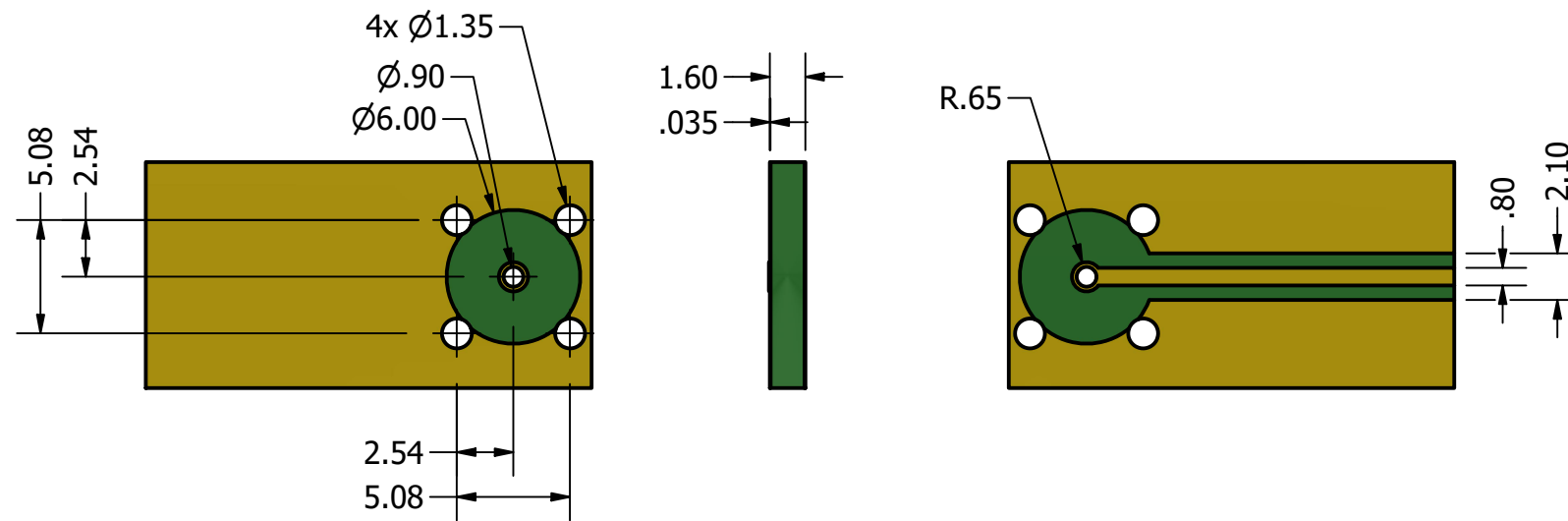
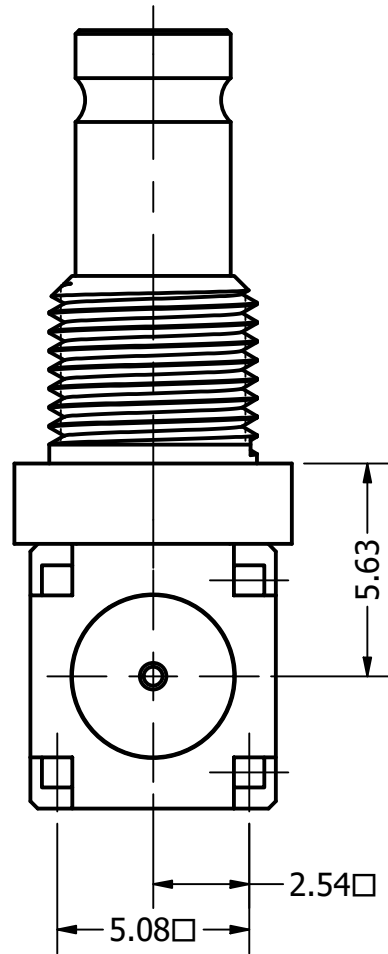


**Recommended Panel Cut Out**



**Suggested PCB layout intended as starting point for design iteration**

REVISION HISTORY			
REV	DESCRIPTION	DATE	DESIGNER
3.0	Updated P/N	22 Feb 2024	Peter Millard
3.1	Updated Tol & Plating	04 Jul 2024	Peter Millard
3.2	Updated Assy	23 Jul 2024	Peter Millard
3.3	Updated Insulator	08 Aug 2024	Peter Millard
3.4	Updated Body and Insulator	13 Aug 2024	Peter Millard

<b>Design Right Protected</b>	Material:	Finish:	Gen Tol ±0.10	DO NOT SCALE		
	Unit of Measure: millimeters (mm)			©2024	Date 09 Feb 2009	A3
Third Angle Projection	Designed by <b>P. Fayers</b>	Checked by	Approved by	Description: 6GHz 75 ohm 1.0/2.3 Female sleeved R/A PCB Connector		
<b>RoHS Compliant</b>	CAMBRIDGE ELECTRONIC INDUSTRIES	This document and all the data contained herein is and shall remain the property of Cambridge Electronic Industries Ltd and may not be used or copied for any purpose whatsoever without the written permission of Cambridge Electronic Industries Ltd.		Part No: XGS-06-RB26-NG Cust	Issue 3.4	Sheet 1 / 2

**Electrical:**

Impedance 75 Ohms  
 Freq Range 0-6.0 GHz  
 Working Voltage 250 Vrms  
 Dielectric withstanding voltage >750 Vrms  
 Reflection Factor (VSWR) 1.11 Max 0.0-3.2 GHz  
 1.29 Max 3.3-6.0 GHz

Contact Resistance Center Contact 4.0 m Ohm  
 Outer Contact 2.5 m Ohm  
 Insulation Resistance > 1000 Meg Ohm

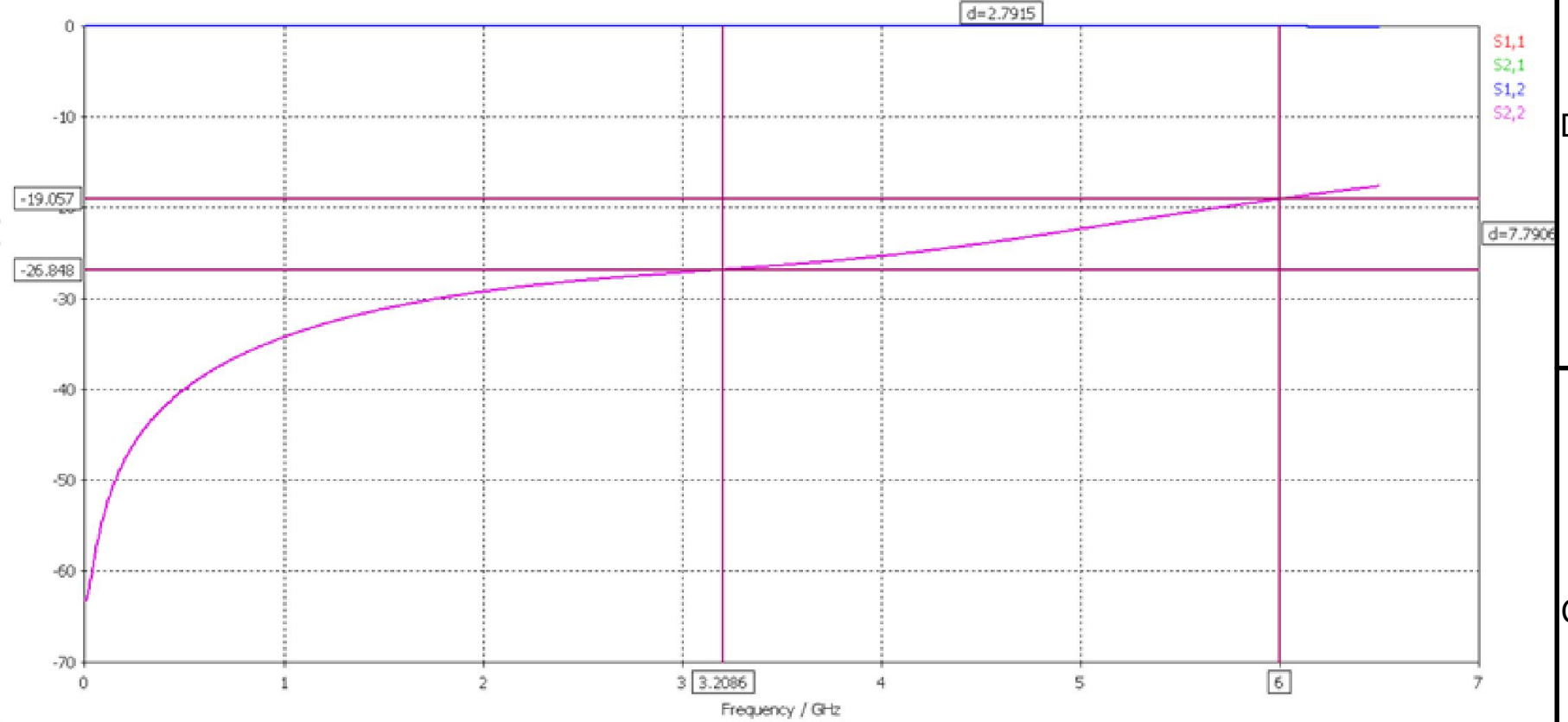
**Materials:**

Center Pin BeCu/10μ Au  
 Metal Parts Brass / Au or Ni  
 Insulators PTFE(UL94-V0)

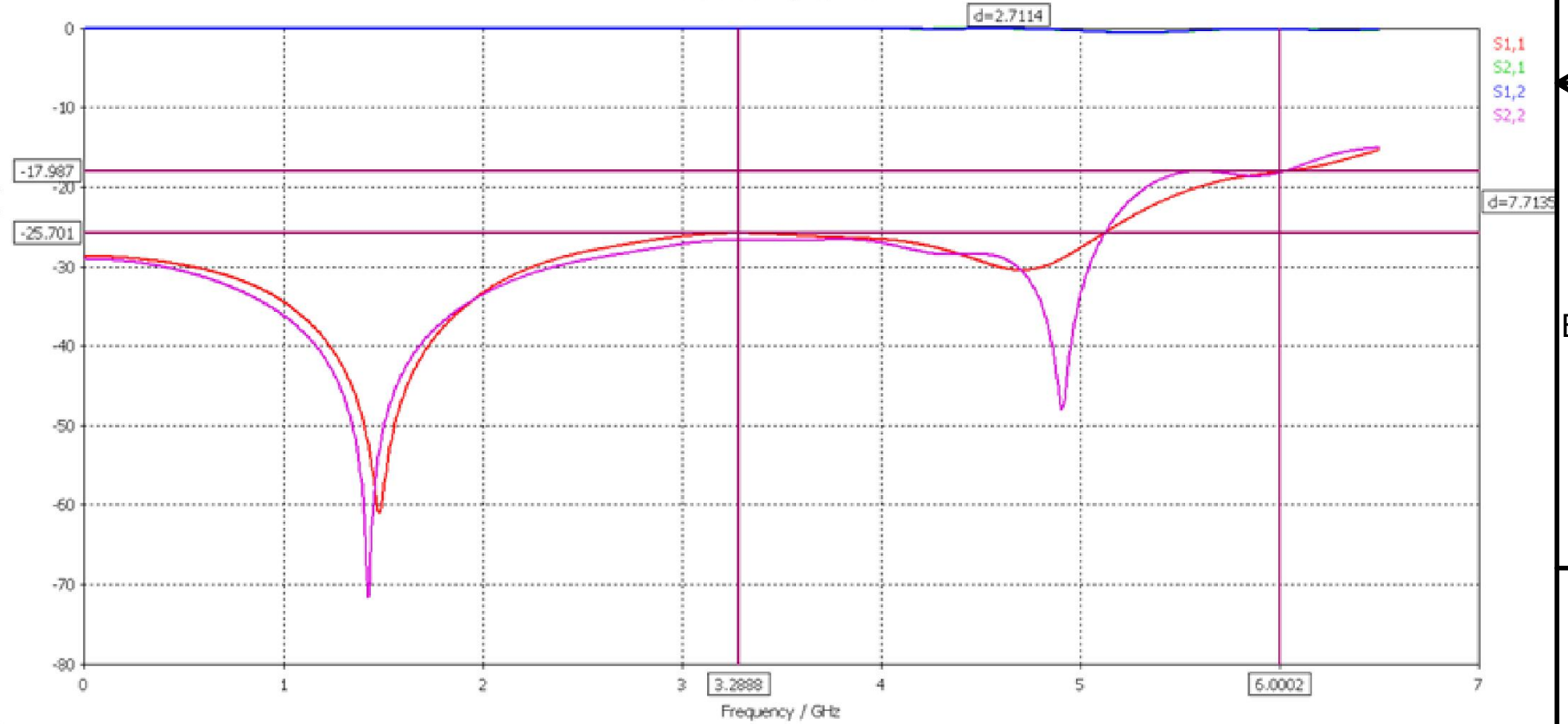
**Enviromental:**

Temp Ranges: -65 to +85°C  
 Mating Cycles: 500  
 Vibration: MIL-STD-202 Method 204 test condition B  
 Salt Spray: MIL-STD-202 Method 101 test condition B

**CONNECTOR ONLY** S-Parameter Magnitude in dB



**CONNECTOR WITH PCB ELEMENT** S-Parameter Magnitude in dB



<b>Design Right Protected</b>	Material:	Finish:	Gen Tol ±0.10	<b>DO NOT SCALE</b>	
	Third Angle Projection		Unit of Measure: millimeters (mm)		
<b>RoHS Compliant</b>	Designed by <b>P. Fayers</b>	Checked by	Approved by	©2024	Date 09 Feb 2009
	CAMBRIDGE ELECTRONIC INDUSTRIES		Description: 6GHz 75 ohm 1.0/2.3 Female sleeved R/A PCB Connector		<b>A3</b>
Part No: XGS-06-RB26-NG Cust			Issue 3.4	Sheet 2 / 2	