

**Specification**

**Electrical:**

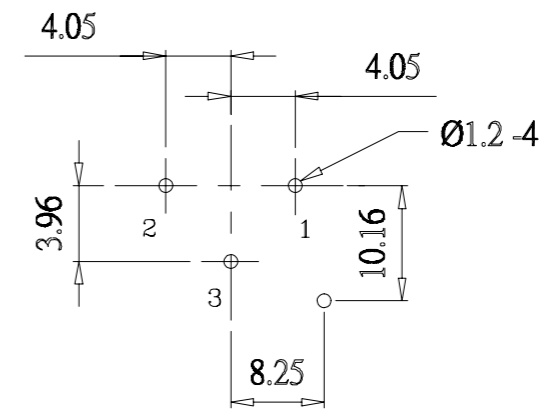
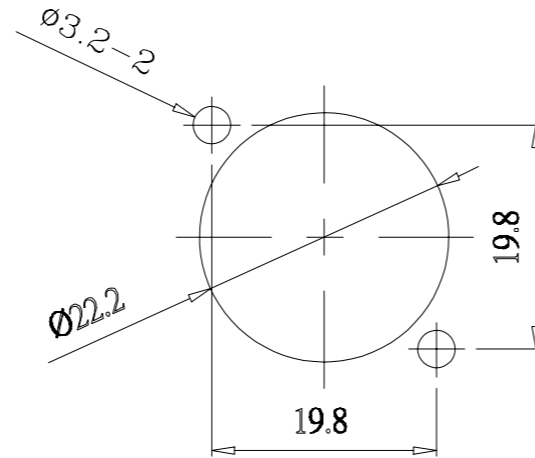
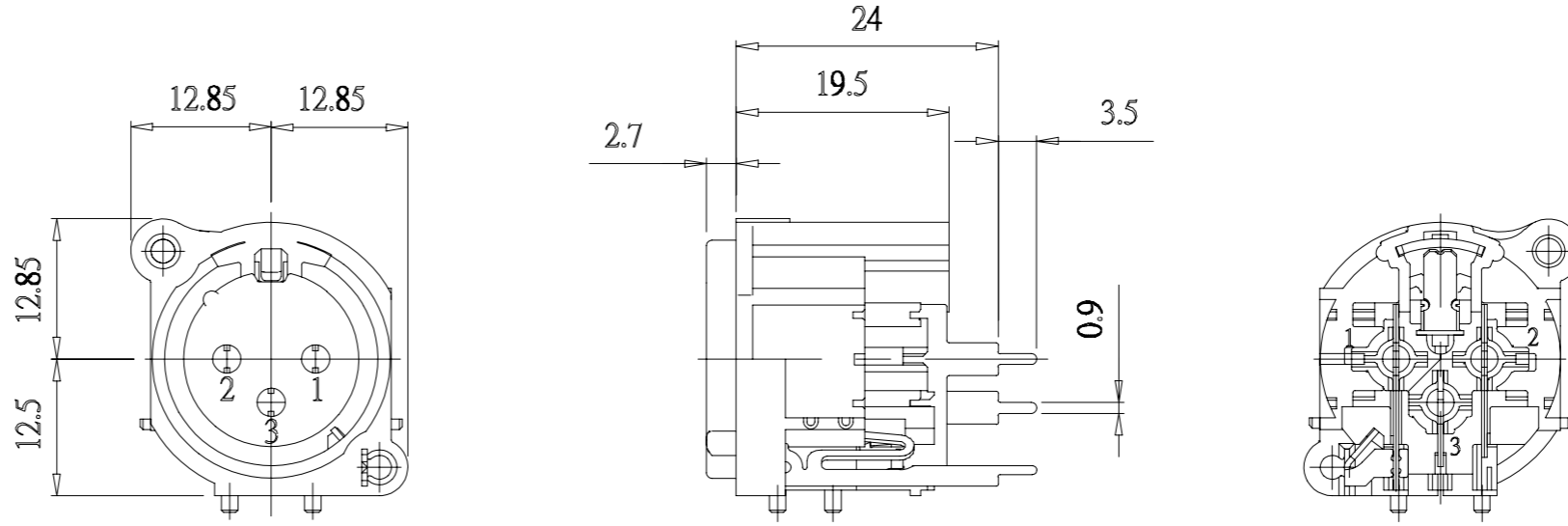
Current Rating Per Contact: 6A  
 Dielectric Strength: 1500VDC  
 Contact Resistance: <5m Ohm  
 Insulation Resistance: >1G Ohm

**Materials:**

Body: PA6 (Nylon)  
 Pin: Phos. Bronze / Gold

**Environmental:**

Mating Cycles: >1000  
 Insertion Force: ≤20N  
 Temp Range: -30°C to +80°C



Panel cut out (rear side)

PCB-Layout (component side)

REVISION HISTORY				
REV	DESCRIPTION	CHG REF	DATE	DESIGNER
1.0	Origin	-	24 Jul 2025	M. Smith
1.1	Updated P/N	FB / INT	46125.00	Peter Millard

DO NOT SCALE Unit of Measure: millimetres (mm)	Third Angle Projection	Designed by Martin Smith	X.X - +0.20	Design Right Protected	©2025	Date 24 Jul 2025	A3	
			X.XX - +0.10					X.XXX - +0.05
RoHS Compliant	Cambridge Electronic Industries Ltd	This document and all the data contained herein is and shall remain the property of Cambridge Electronic Industries Ltd and may not be used or copied for any purpose whatsoever without the written permission of Cambridge Electronic Industries Ltd.					Description: 3 Pin XLR socket with plastic, panel mount, phosbronze gold plated pin	
		Part No: AXPS-3S-P1PGA-T					Issue 1.1	Sheet 1 / 1