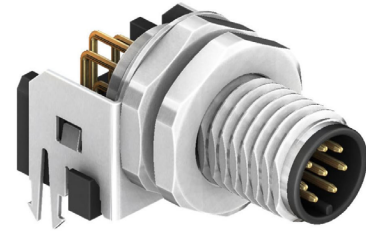
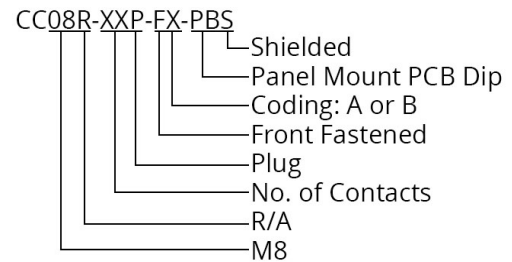
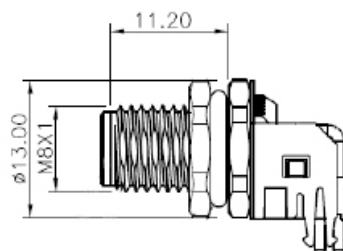
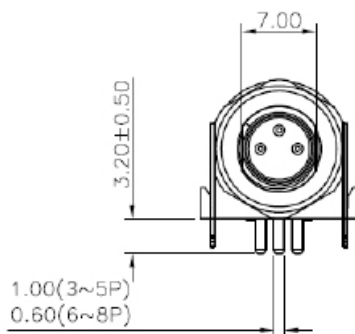
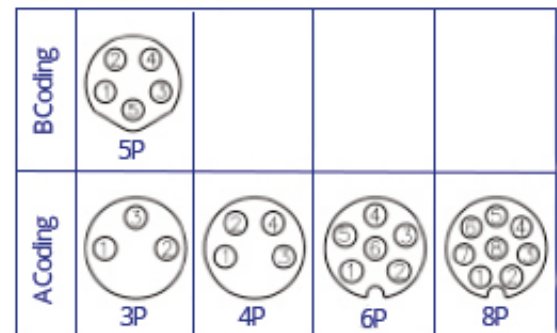


General Description

The CC08R-XXP-FX-PBS is a M8 front fastening panel plug with right angle pins for mounting directly on a PCB. This circular connector is available in A and B coding, with the option of a 3 to 8 way pin assignment with shielding. The M8 is the best connector type for industrial sensors, due to its robust and secure format coupled with the waterproof rating of IP67.



Specification	
Coding	A or B
Contact	3 to 8 Pins
Current Rating	3A AC/DC (3 to 5 Pins) 1.5A AC/DC (6 to 8 Pins)
Voltage Rating	60V AC/DC (3Pins) 30V AC/DC (4 to 8Pins)
Contact Resistance	≤10mΩ
Insulation Resistance	≥100MΩ
Operating Temperature	-25°C to +80°C
Waterproof Rating	IP67
Material Plating	
Insulator	UL94V-0 Black
Connector Contacts	Brass Gold Plated
Connector Body	Brass Nickel Plated
Connector Nut	Brass Nickel Plated
Seal Ring	Red Silicone
Shielded Shell	Brass Gold Plated
Seal - O Ring	Silicone Black


Pin Assignments Front View


Drawing Issue 1.1