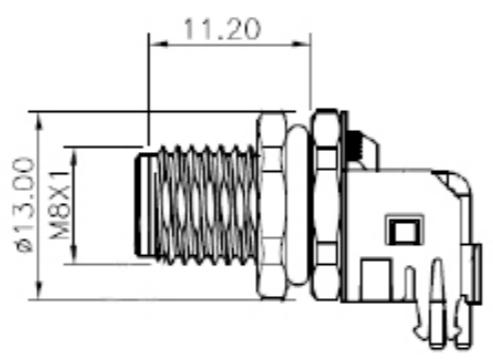
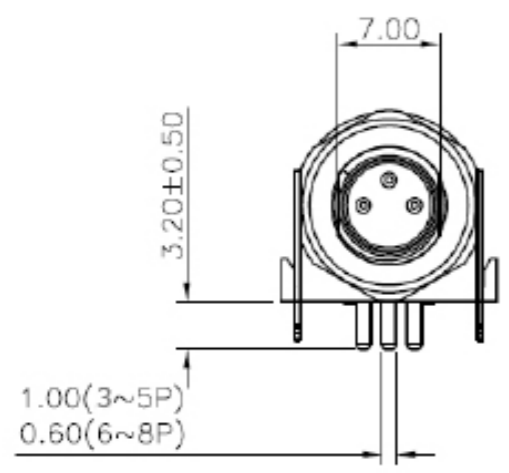


6 5 4 3 2 1

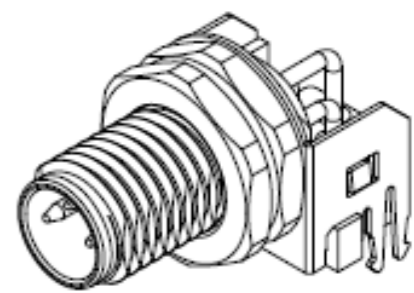
D

D



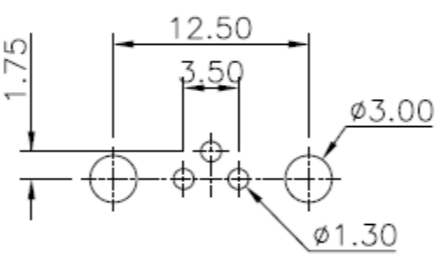
Specifications:
 Current Rating: 3A AC/DC(3~5P); 1A AC/DC(6~8P)
 Voltage Rating: 60V AC/DC(3P);30V AC/DC(4~8P)
 Contact Resistance:10m ohm. Max.
 Insulation Resistance:100M ohm. Min.
 Waterproof Rate: IP67
 Operating Temperature Range: -25°C ~ +80°C

CC08R-XXP-FX-PBS
 Shielded
 Panel Mount PCB Dip
 Coding: A or B
 Front Fastened
 Plug
 No. of Contacts
 R/A
 M8

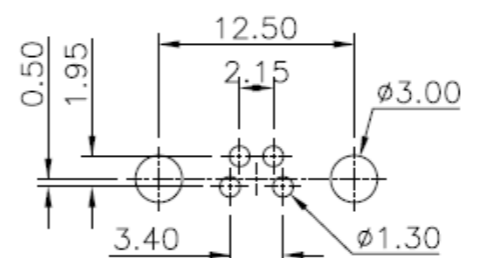


C

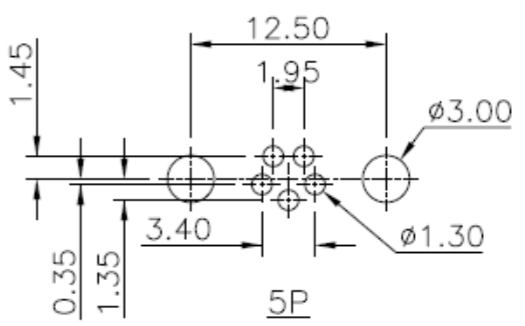
C



3P

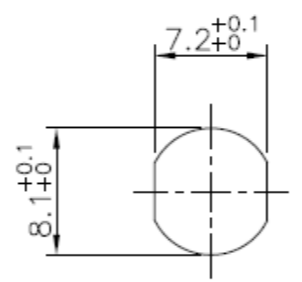


4P

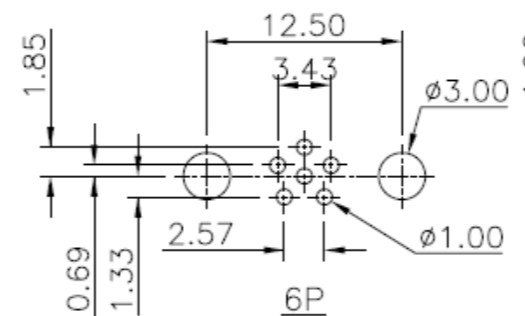


5P

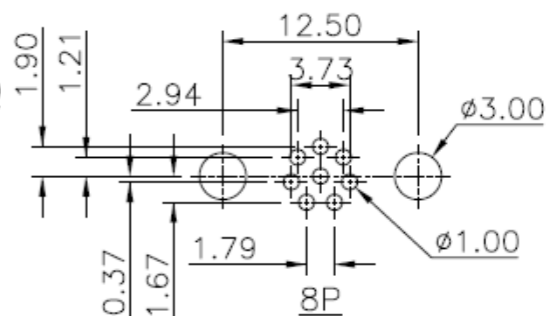
Recommended PCB layout



Recommended Panel cut-out



6P



8P

B

B

B Coding				
A Coding				
	5P	4P	6P	8P

A

A

Item	Description	Material	Remark	Q'TY
1	Insulator	Nylon	UL94V-0 Black	1
2	Terminal	Copper Alloy	Gold Plated 3u"	2~8
3	Shell	Copper Alloy	Nickel Plated 60u"	1
4	Seal Ring	Silicone	Red	1
5	Nut	Copper Alloy	Nickel Plated 60u"	1
6	Shielded Shell	Copper Alloy	Gold Plated	1
7	Cover	Nylon	UL94V-0 Black	1

REVISION HISTORY				
REV	DESCRIPTION	CHG REF	DATE	DESIGNER
1.1	Origin	-	16-04-2024	Owen Page

DO NOT SCALE	Third Angle Projection	Designed by Owen Page	X.X - +0.30 X.XX - +0.20	Design Right Protected	©2023	Date 16-04-2024	A4
Unit of Measure: millimetres (mm)							
RoHS Compliant	Cambridge Electronic Industries Ltd	Description: M8 Plug R/A Dip Shielded Type		Part No: CC08R-XXP-FX-PBS		Issue 1.1	Sheet 1 / 1

6 5 4 3 2 1