

2P PIN OUT:

P1	
1	Black
3	Brown

3P PIN OUT:

P1	
1	Black
3	Brown
4	Red

4P PIN OUT:

P1	
1	Black
2	White
3	Brown
4	Red

5P PIN OUT:

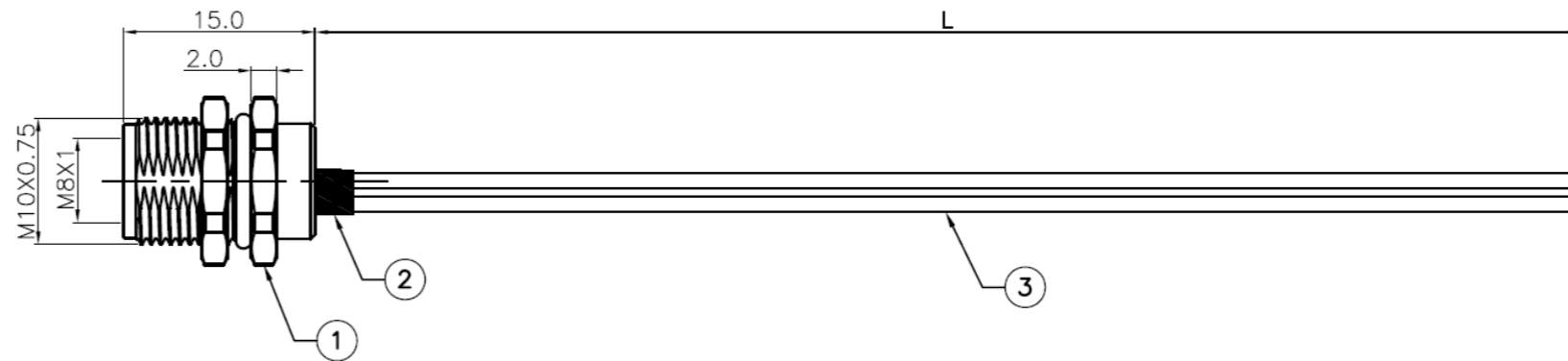
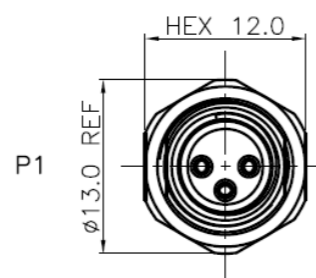
P1	
1	Black
2	White
3	Brown
4	Red
5	Yellow

6P PIN OUT:

P1	
1	Black
2	White
3	Brown
4	Red
5	Yellow
6	Blue

8P PIN OUT:

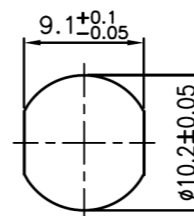
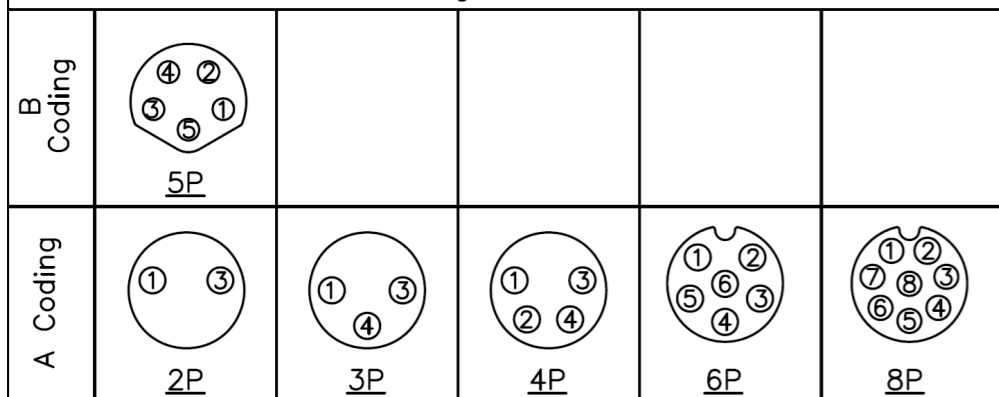
P1	
1	Black
2	White
3	Brown
4	Red
5	Yellow
6	Blue
7	Orange
8	Green



SCA08-XXSFX4-XXXX

- Cable Length
- 0050: 50mm
- 0300: 300mm
- Coding: A or B
- Front Fastened
- Socket
- No. of Contacts

Pin Assignments Front View



Recommended Panel CUT-OUT
Thickness: Max 3.5MM

REVISION HISTORY				
REV	DESCRIPTION	CHG REF	DATE	DESIGNER
1.0	Origin	-	22 08 2023	Owen Page

Item	Part No.	Description	Quantity
1	CC08-XXS-FX-PM4	M8 Socket Front Fastened Solder Type	1
2		Heat Shrink Tube, Colour: Black	A/R
3		UL1007 XXAWG, Colour: XX	A/R

DO NOT SCALE
Unit of Measure: millimetres (mm)

Third Angle Projection

Designed by
Owen Page

X.X - +0.50
X.XX - +0.30

Design Right Protected

©2023

Date
22 08 2023

A4

RoHS Compliant

Cambridge Electronic Industries Ltd

This document and all the data contained herein is and shall remain the property of Cambridge Electronic Industries Ltd and may not be used or copied for any purpose whatsoever without the written permission of Cambridge Electronic Industries Ltd.

Description:
M8 Socket Front Fastened Wire Harness

Part No:
SCA08-XXSFX4-XXXX

Issue
1.0
Sheet
1 / 1